



Inanç
Cooling system

The logo for Inanç Cooling system features the word "Inanç" in a stylized, bold font. The letters "In" are yellow, and "anç" is blue. A blue snowflake icon is positioned above the "I" and another smaller one is above the "n". A blue wave-like graphic element is integrated into the "a". Below the main text, the words "Cooling system" are written in a smaller, white font. The entire logo is set against a dark blue background.

www.inancteknik.com.tr



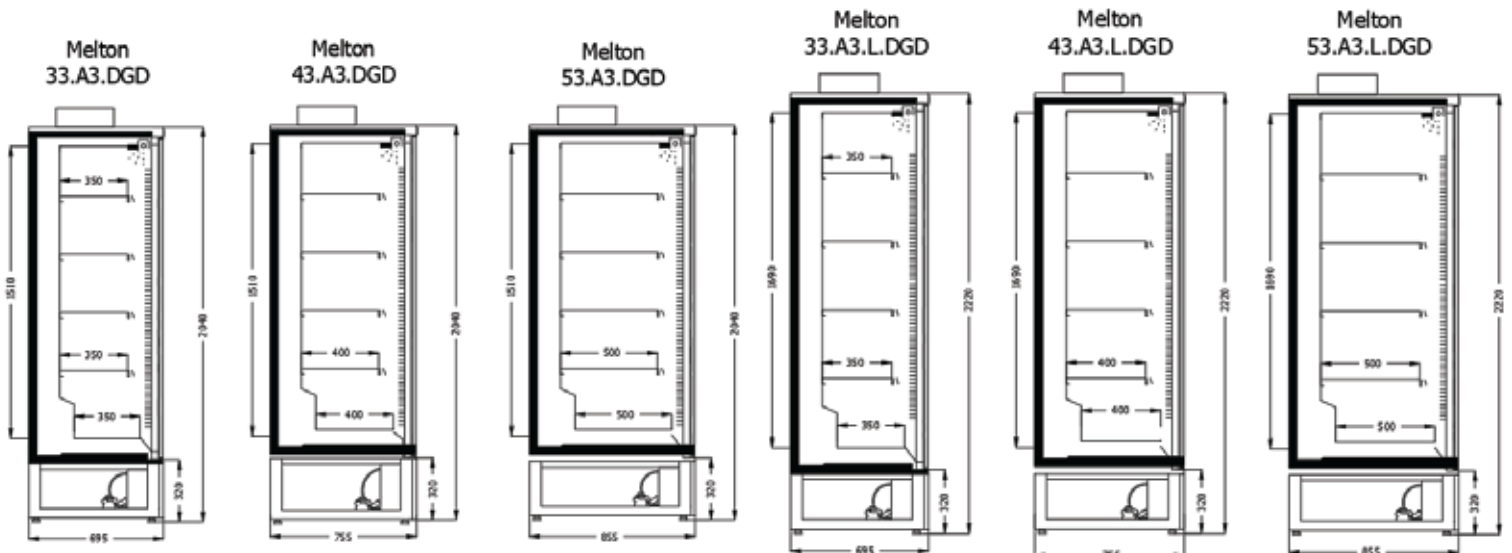
STANDARD FEATURES

- Working Temperature: 0°C to 2°C
- 304 Quality : Wet Board
- Energy Saving Fans
- Shelf : H : 2040 mm & 2220 mm- 4 Lines
- Price Holders 40 mm
- Termostate : Automatic Evaporation
- Evaporator Fan: Electronic
- Gas : R290
- Lighting: Frame, LED
- DGD: Double Glass Hinged Door
- With Mirror Side Panel

OPTIONAL FEATURES

- Colored Door Frame
- Glazed Side Panel
- Lighting: Canopy, LED

CROSS SECTION :





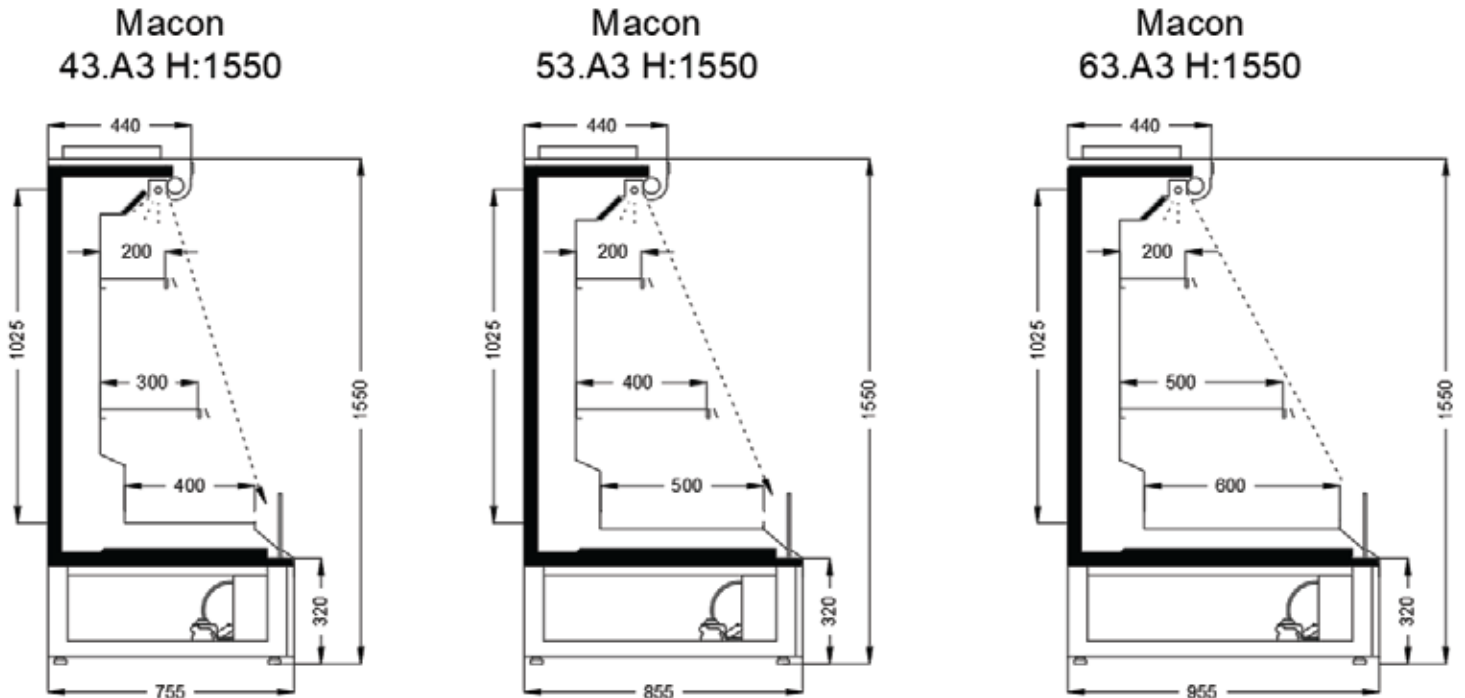
STANDARD FEATURES

- Working Temperature: 2°C to 6°C
- 304 Quality : Wet Board
- Energy Saving Fans
- Shelf : H : 1550 mm - 2 Lines
- Price Holders 40 mm
- Termostate : Automatic Evaporation
- Evaporator Fan: Electronic
- Gas : R290
- Lighting: Canopy, LED
- Night Curtain : With Manual Brake
- With Mirror Side Panel

OPTIONAL FEATURES

- Night Curtain : Motorized
- Glazed Side Panel
- Sliding Doors

CROSS SECTION :





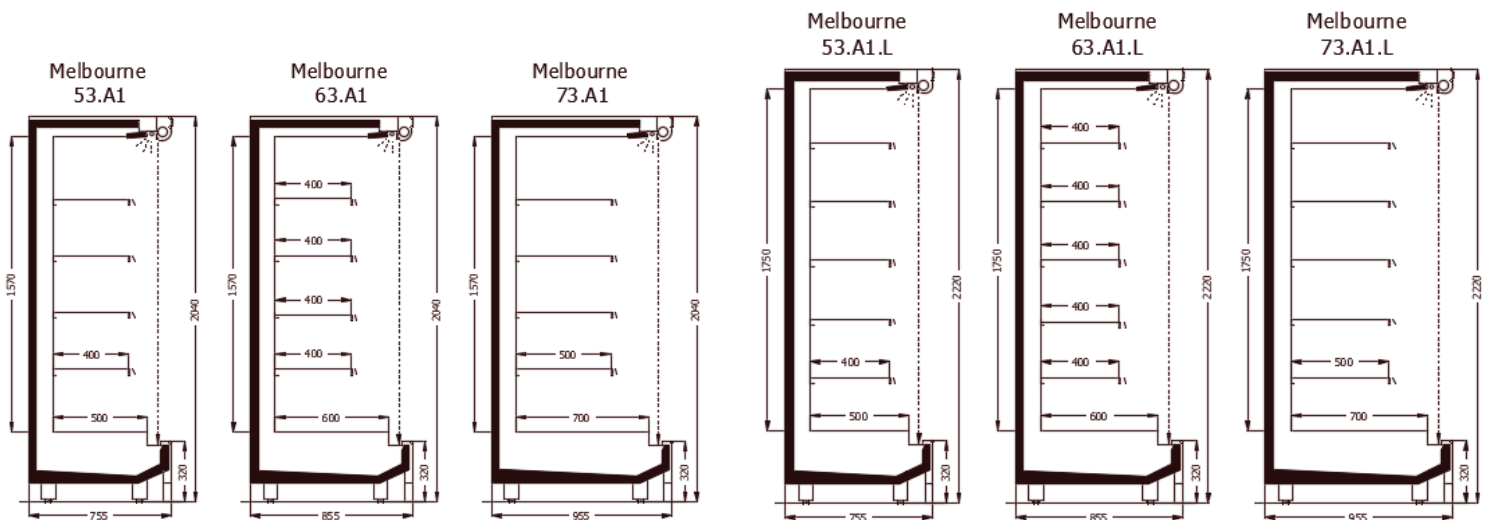
STANDARD FEATURES

- Working Temperature: 0°C to 2°C
- 304 Quality : WetBoard & Board & Suction
- Energy Saving Fans
- Shelf : H : 2040 mm – 4 Lines
- Shelf : H : 2220 mm - 5 Lines
- Price Holders 40 mm
- Termostate : Automatic Evaporation
- Evaporator Fan: Q Fan
- Gas : R448 & R449
- Lighting: Canopy, LED
- Night Curtain : With Manual Brake
- With Mirror Side Panel

OPTIONAL FEATURES

- Night Curtain : Motorized
- Glazed Side Panel
- Lighting: Undershelf, LED

CROSS SECTION :





STANDARD FEATURES

- Working Temperature: 0°C to 2°C
- 304 Quality : WetBoard & Board & Suction
- Energy Saving Fans
- Shelf : H : 2040 mm – 4 Lines
- Shelf : H : 2220 mm - 5 Lines
- Price Holders 40 mm
- Termostate : Automatic Evaporation
- Evaporator Fan: Q Fan
- Gas : R448 & R449
- Lighting: Frame, LED
- DGD: Double Glass Hinged Door
- With Mirror Side Panel

OPTIONAL FEATURES

- Colored Door Frame
- Glazed Side Panel
- Lighting: Canopy, LED

CROSS SECTION :





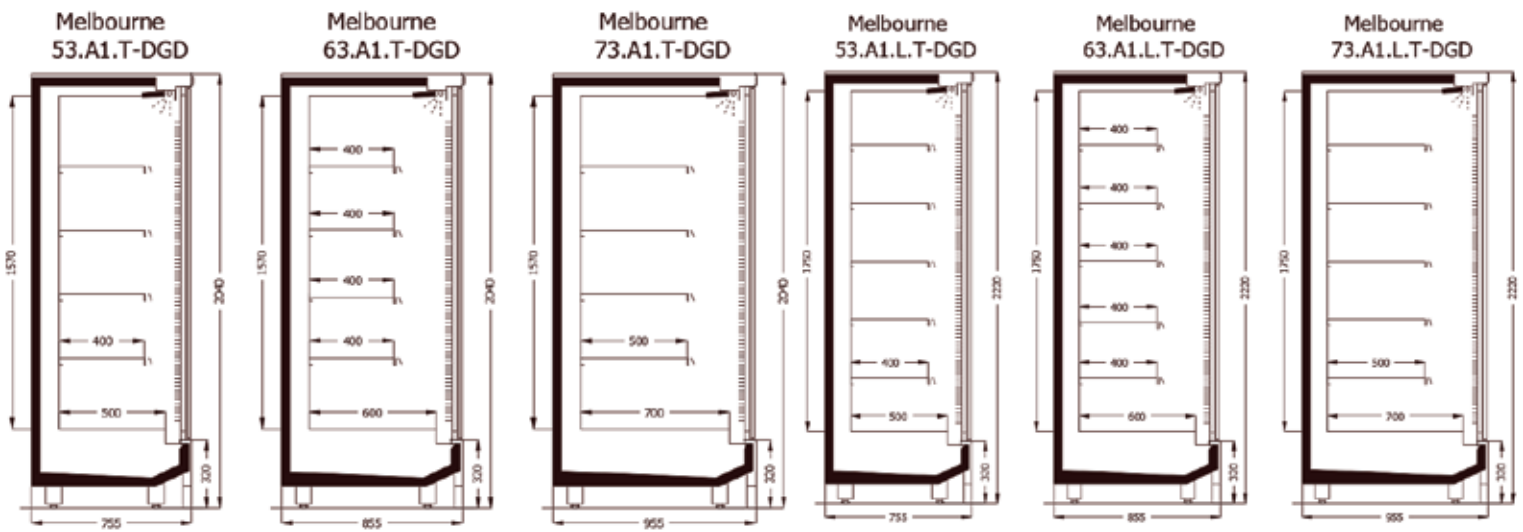
STANDARD FEATURES

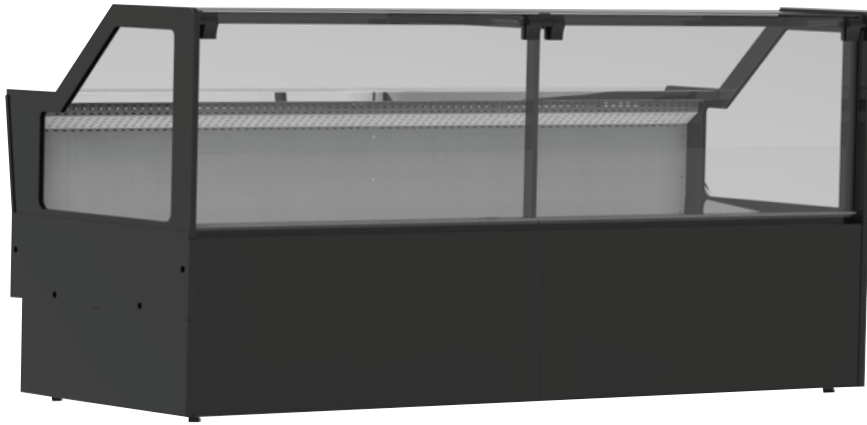
- Working Temperature: 0°C to 2°C
- 304 Quality : WetBoard & Board & Suction
- Energy Saving Fans
- Shelf : H : 2040 mm – 4 Lines
- Shelf : H : 2220 mm - 5 Lines
- Price Holders 40 mm
- Termostate : Automatic Evaporation
- Evaporator Fan: Q Fan
- Gas : R448 & R449
- Lighting: Canopy, LED
- T-DGD: Transparent Double Glass Hinged Door
- With Mirror Side Panel

OPTIONAL FEATURES

- Glazed Side Panel
- Lighting: Frame, LED

CROSS SECTION :





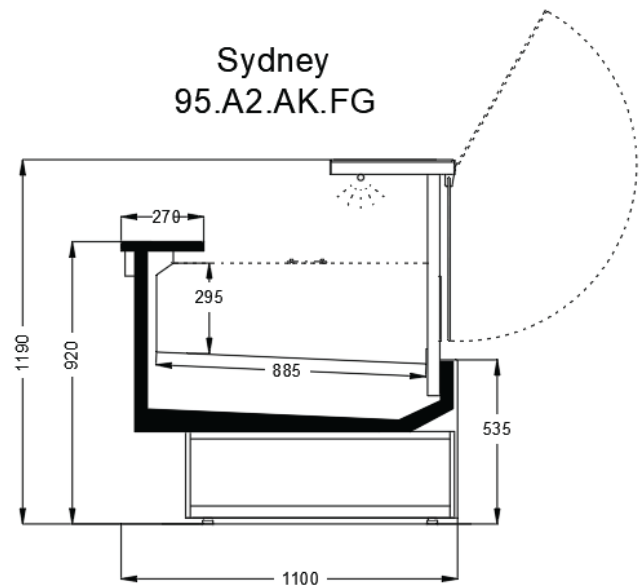
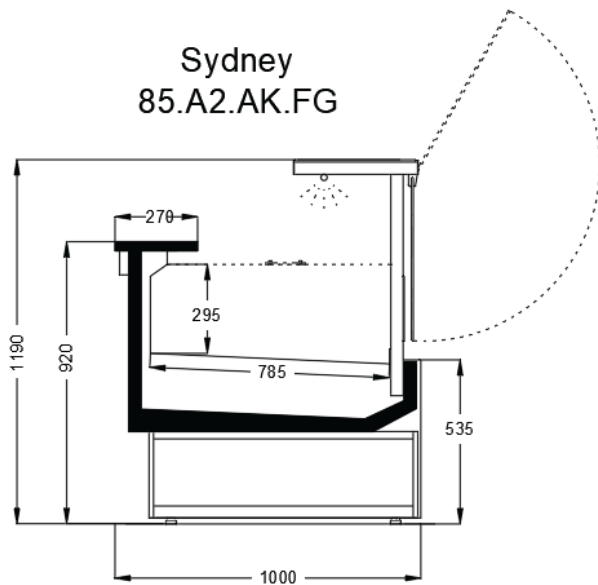
STANDARD FEATURES

- Working Temperature: 0°C to 2°C
- 304 Quality : Pan & Wet Broad & Suction & Fan Plate
- Energy Saving Fans
- Thermostat : Automatic Evaporation
- Evaporator Fan: Q Fan
- Gas : R448 & R449
- Lighting: Top, LED
- FG : Flat Glass

OPTIONAL FEATURES

- Back Sliding Plexi
- CG : Curve Glass
- 4 Row Disassemble
- Double Over And Over Loading
- Evaporator Fan: Electronic

CROSS SECTION :





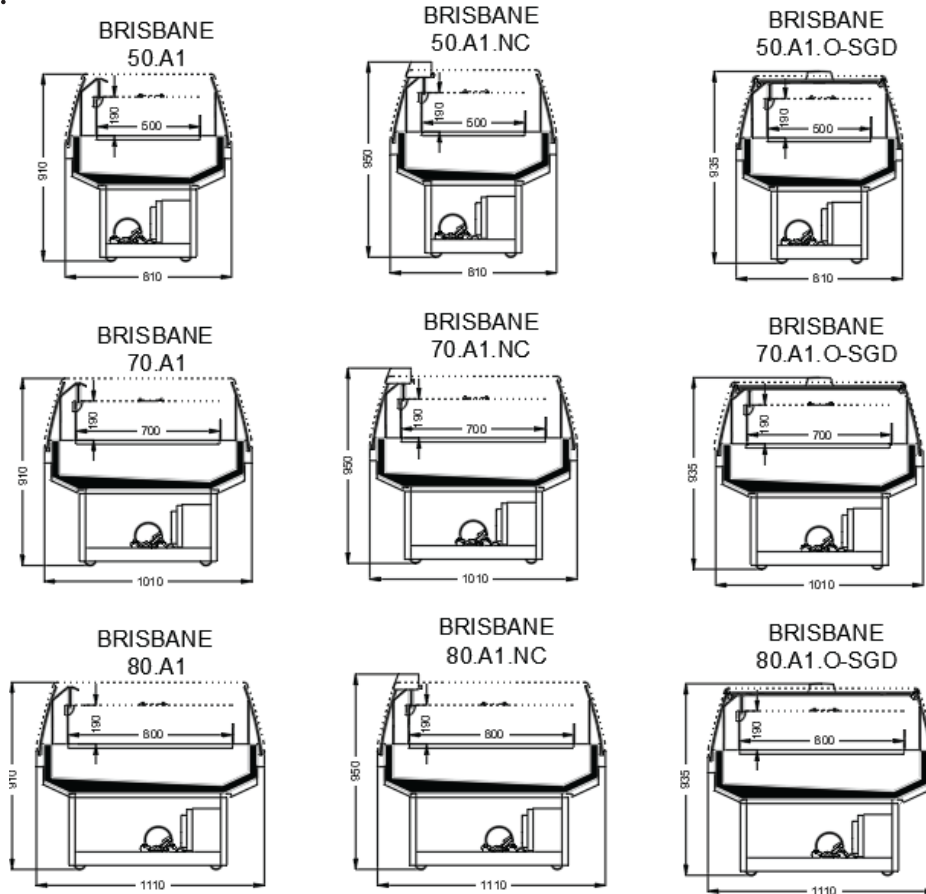
STANDARD FEATURES

- Working Temperature: 0°C to 2°C
- Energy Saving Fans
- Thermostat : Automatic Evaporation
- Evaporator Fan: High Efficiency EC Fan
- Gas : R290
- Automatic Water Evaporation
- Open Doors for Ease of Loading

OPTIONAL FEATURES

- Sliding Doors
- Night Curtain

CROSS SECTION :



AVAILABLE MODULES: 937 - 1250 - 1875





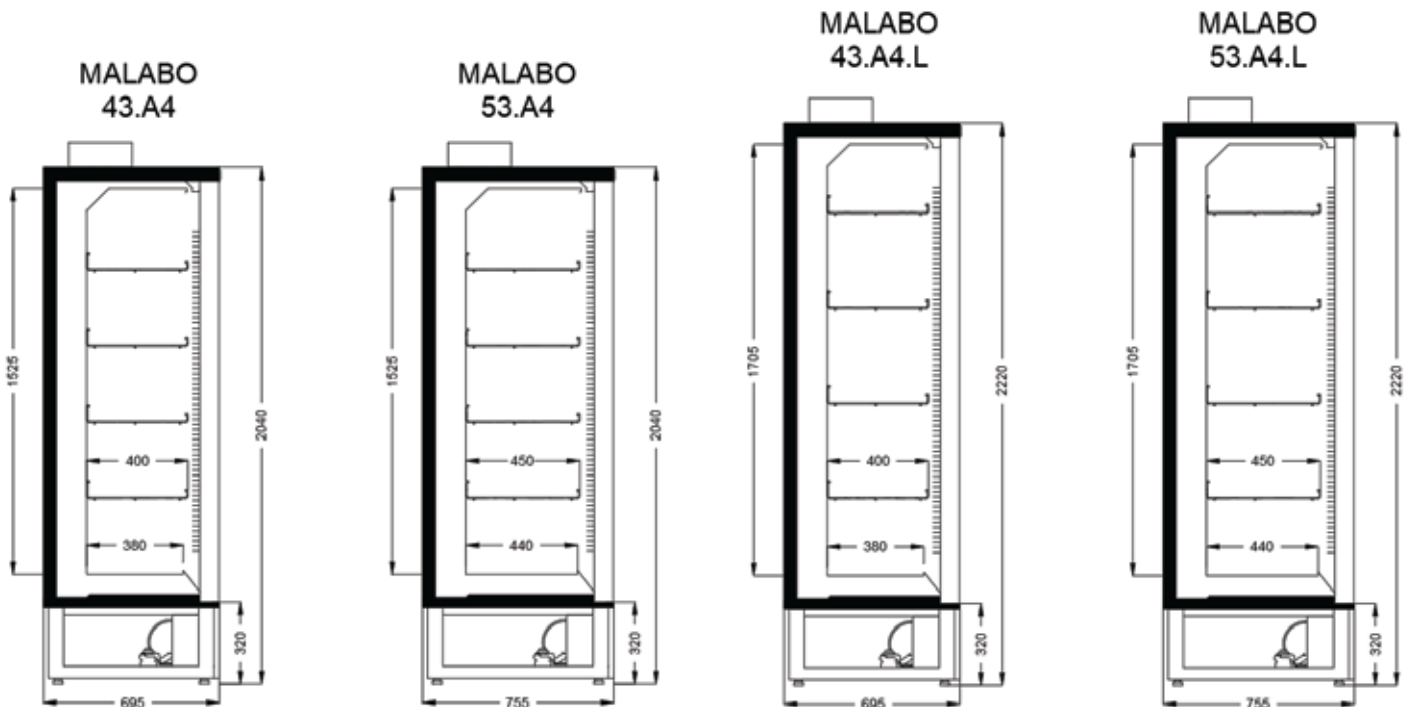
STANDARD FEATURES

- Working Temperature: -18°C to -22°C
- 304 Quality : WetBoard
- Energy Saving Fans
- Shelf : H : 2040 mm & 2220 mm- 4 Lines
- Termostate : Automatic Evaporation
- Evaporator Fan: High Efficiency EC Fan
- Gas : R290
- Lighting: Frame, LED
- Automatic Water Evaporation
- Open Doors for Ease of Loading
- Without Mirror Side Panel
- Adjustable Wire Shelves

OPTIONAL FEATURES

- Shelf: Additional Shelf
- Glazed Side Panel

CROSS SECTION :





STANDARD FEATURES

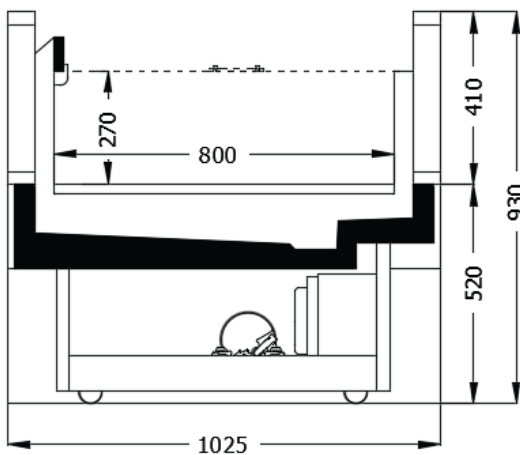
- Working Temperature: -18°C to -22°C
- 304 Quality : WetBoard
- Energy Saving Fans
- Thermostat : Automatic Evaporation
- Evaporator Fan: High Efficiency EC Fan
- Gas : R290
- Automatic Water Evaporation
- Open Doors for Ease of Loading

OPTIONAL FEATURES

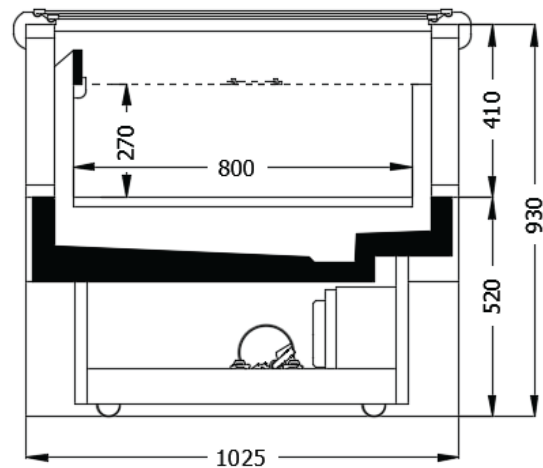
- Sliding Doors

CROSS SECTION :

Havana
85.A1



Havana
85.A1.SGD





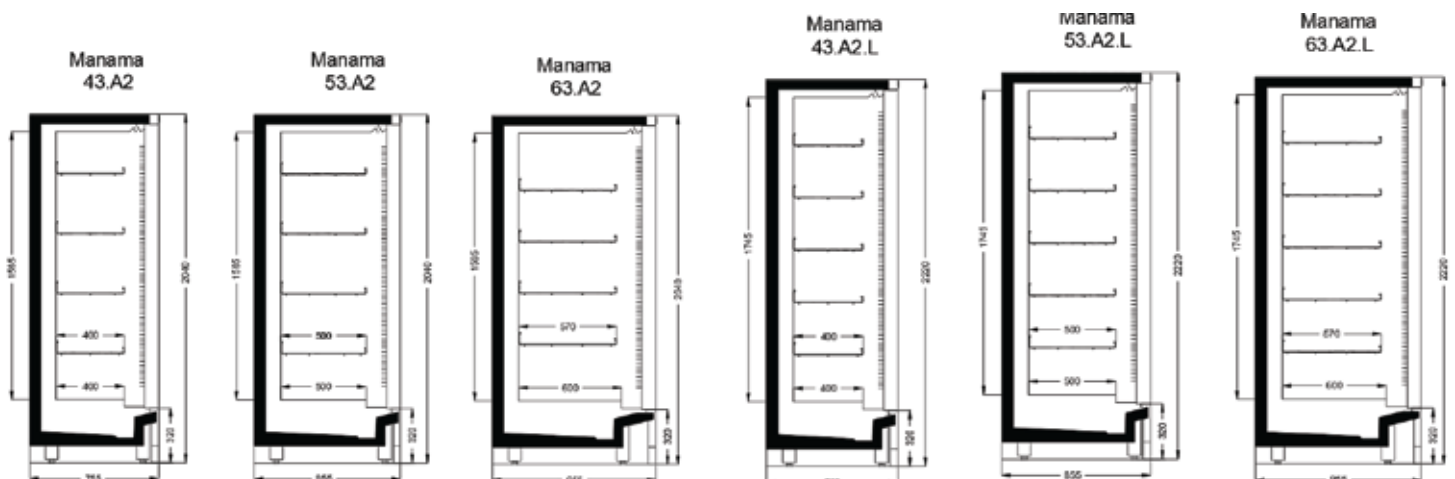
STANDARD FEATURES

- Working Temperature: : -18°C to -22°C
- 304 Quality : WetBoard & Suction
- Energy Saving Fans
- Shelf : H : 2040 mm – 4 Lines
- Shelf : H : 2220 mm - 5 Lines
- Termostate : Automatic Evaporation
- Evaporator Fan: High Efficiency EC Fan
- Gas : R448 & R449
- Lighting: Frame, LED
- Automatic Water Evaporation
- Open Doors for Ease of Loading
- Without Mirror Side Panel

OPTIONAL FEATURES

- Shelf: Additional Shelf
- Glazed Side Panel

CROSS SECTION :





STANDARD FEATURES

- Working Temperature: -18°C to -22°C
- 304 Quality : WetBoard
- Energy Saving Fans
- Sliding Doors
- Termostate : Automatic Evaporation
- Evaporator Fan: High Efficiency EC Fan
- Gas : R448 & 449
- Open Doors for Ease of Loading

OPTIONAL FEATURES

CROSS SECTION :





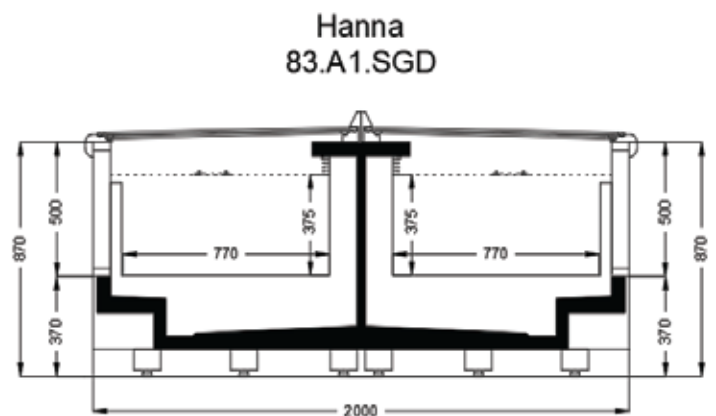
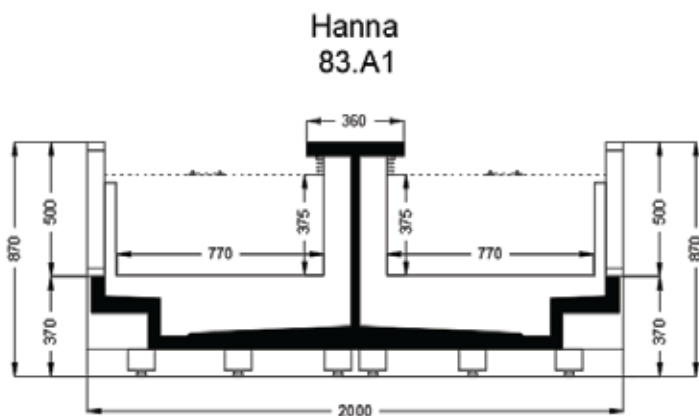
STANDARD FEATURES

- Working Temperature: : -18°C to -22°C
- 304 Quality : Wet Broad
- Energy Saving Fans
- Termostate : Automatic Evaporation
- Evaporator Fan: High Efficiency EC Fan
- Gas : R448 & R449
- Open Doors for Ease of Loading

OPTIONAL FEATURES

- Sliding Doors
- Push-up Doors

CROSS SECTION :





STANDARD FEATURES

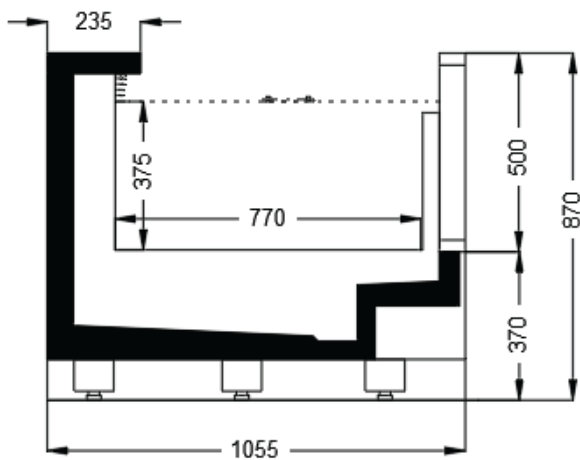
- Working Temperature: : -18°C to -22°C
- 304 Quality : Wet Broad
- Energy Saving Fans
- Termostate : Automatic Evaporation
- Evaporator Fan: High Efficiency EC Fan
- Gas : R448 & R449
- Automatic Water Evaporation
- Open Doors for Ease of Loading

OPTIONAL FEATURES

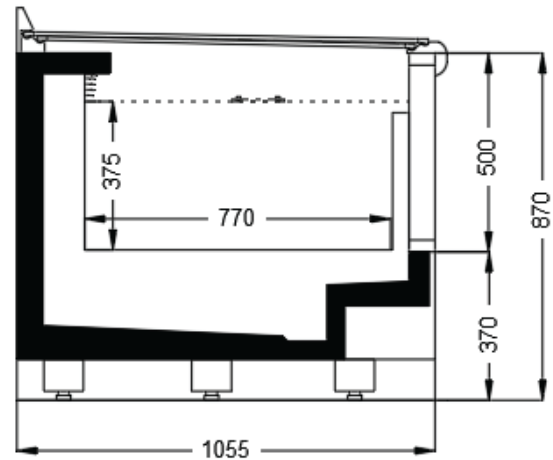
- Sliding Doors
- Push-up Doors

CROSS SECTION :

Hartum
83.A1



Hartum
83.A1.SGD







NOTLAR



NOTLAR



NOTLAR





İNANÇ TEKNİK METAL SAN. ve TİC. LTD. ŞTİ.

Adress: Köşeler Mah. Şükürtepe
Sk. No:90 Dilovası/KOCAELİ
Tel : 0 262 653 00 33
Fax: 0 262 653 00 31
info@inancteknik.com.tr



www.inancteknik.com.tr



www.kosgeb.gov.tr

