



CATALOG

www.inancteknik.com.tr

CONTENTS

Multidecks / Plug-In

Melton FG-DGD	1
Melton FG-PDGD	3
Melton T-DGD	5
Melton DGD	7
Melton NC	9
Melton FV	11

Semi Vertical Multidecks / Plug-In

Macon NC	13
Macon DGD	15
Macon D-SGD	17

Multidecks / Remote

Melbourne FG-DGD	19
Melbourne FG-PDGD	21
Melbourne T-DGD	23
Melbourne DGD	25
Melbourne NC	27
Melbourne FV	29

Semi Vertical Multidecks / Remote

Marbella NC	31
Marbella DGD	33
Marbella D-SGD	35

Freezers / Plug-In

Malabo FG-PTGD	37
Malabo TGD	39
Helsinki FG-PTGD	41

Freezers / Remote

Manama FG-PTGD	43
Manama TGD	45
Houston TGD-SGD	47

Counter / Plug-In

Sparta FG / Sparta CG	49
Sparta SS.FG / Sparta SS.CG	51
Stow FG	53
Stow CG	55

Counter / Remote

Sydney FG / Sydney CG	57
Sydney SS.FG / Sydney SS.CG / Sydney BM	59
Salta FG	61
Salta CG	63

Counter Corners

Plug-In / Remote Counters Corners	65
-----------------------------------	----

Promotion

Brisbane Open / Brisbane NC / Brisbane SGD	67
--	----

MELTON FG - DGD

FG | Full Glass

DGD | Double Glazed Doors



AVAILABLE DIMENSIONS

- 937,5
- 1250
- 1875
- 2500
- 2812,5
- 3124
- 3750

Plug-In Multideck



Full Glass Doors

Soft-closing doors with anti-slam technology



Cooling Power

3m1 / 3m2 Temp. Class



Energy Efficiency

Low energy consumptions



More display

Total visibility of products



Refrigerant

R290 propane gas system



Optimized Airflow

Air circulation with FMI Q fans



Lighting System

Energy-saving LED lighting on canopy

OPTIONS

Extra Shelf



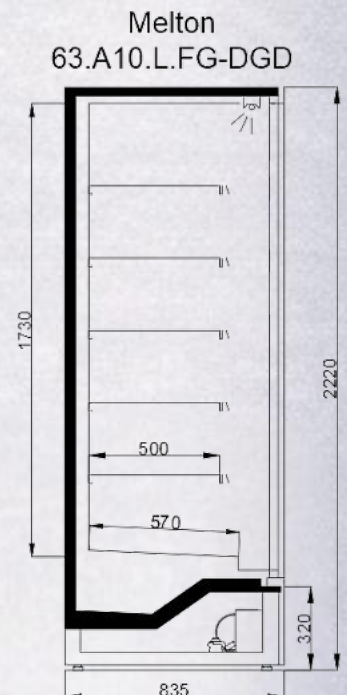
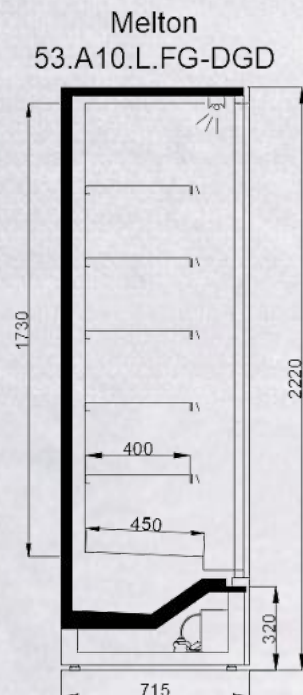
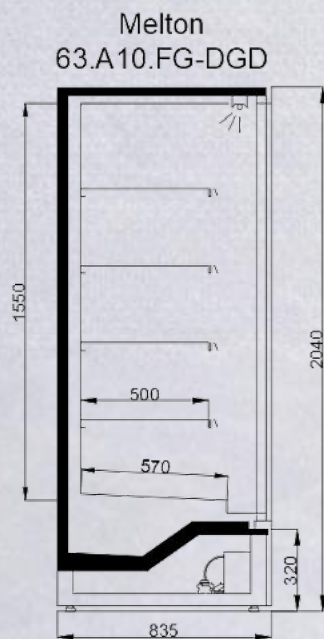
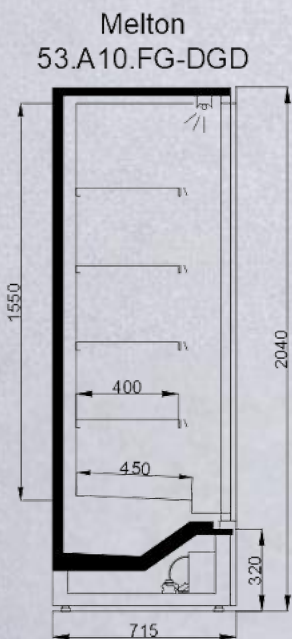
Front Bumper



Vertical - Undershelf Led Lights



Energy saving Ec Fans



İnanç reserves the right to change device standards or withdraw products from the market without prior notice. The stated energy efficiency class depends on the module type, equipment, glazing version, and refrigerant type. Changes to any of these parameters may result in a change to the energy efficiency class. To find out the energy efficiency class of a product with parameters different from those stated in the catalog, contact the manufacturer.

MELTON FG - PDGD

FG | Full Glass

PDGD | Painted Double Glazed Doors



AVAILABLE DIMENSIONS

937,5	1250	1875	2500	2812,5	3124	3750

Plug-In Multideck



Full Glass Painted Doors

Soft-closing doors with anti-slam technology



Cooling Power

3m1 / 3m2 Temp. Class



Energy Efficiency

Low energy consumptions



More display

More visibility of products



Refrigerant

R290 propane gas system



Optimized Airflow

Air circulation with FMI Q fans



Lighting System

Energy-saving LED lighting on canopy

OPTIONS

— Extra Shelf



Front Bumper

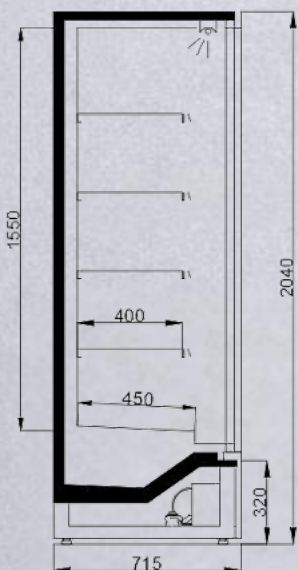


Vertical - Undershef Led Lights

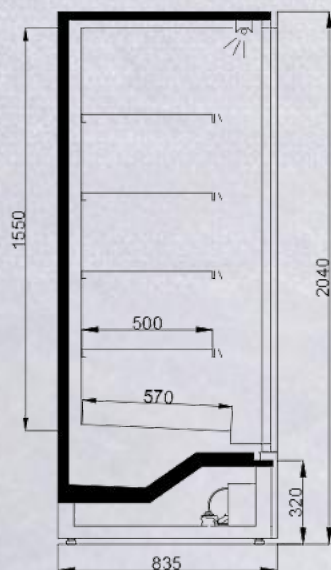


Energy saving Ec Fans

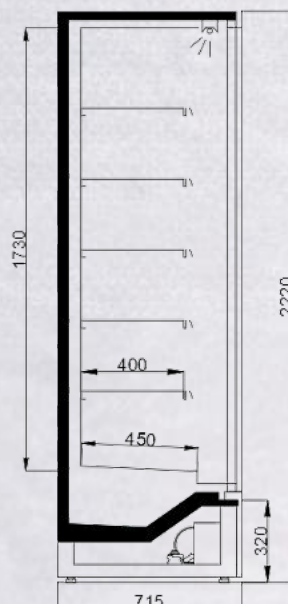
Melton
53.A10.FG-PDGD



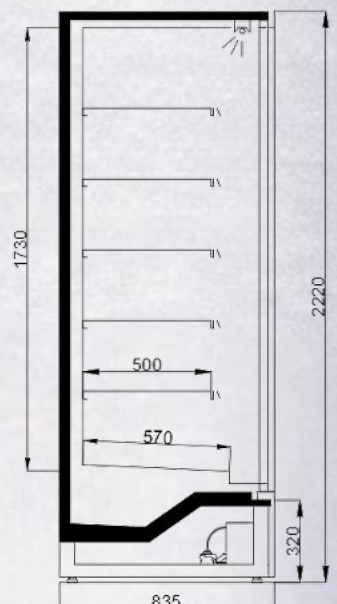
Melton
63.A10.FG-PDGD



Melton
53.A10.L.FG-PDGD



Melton
63.A10.L.FG-PDGD





İnanç reserves the right to change device standards or withdraw products from the market without prior notice. The stated energy efficiency class depends on the module type, equipment, glazing version, and refrigerant type. Changes to any of these parameters may result in a change to the energy efficiency class. To find out the energy efficiency class of a product with parameters different from those stated in the catalog, contact the manufacturer.

MELTON T-DGD

T | Transparent
DGD | Double Glazed Doors



AVAILABLE DIMENSIONS

- 937,5 
- 1250 
- 1875 
- 2500 
- 2812,5 
- 3124 
- 3750 

Plug-In Multideck



Transparent doors

Soft-closing doors with anti-slam technology



Cooling Power

3m1 / 3m2 Temp. Class



Energy Efficiency

Low energy consumptions



More display

More visibility of products



Refrigerant

R290 propane gas system



Optimized Airflow

Air circulation with FMI Q fans



Lighting System

Energy-saving LED lighting on canopy

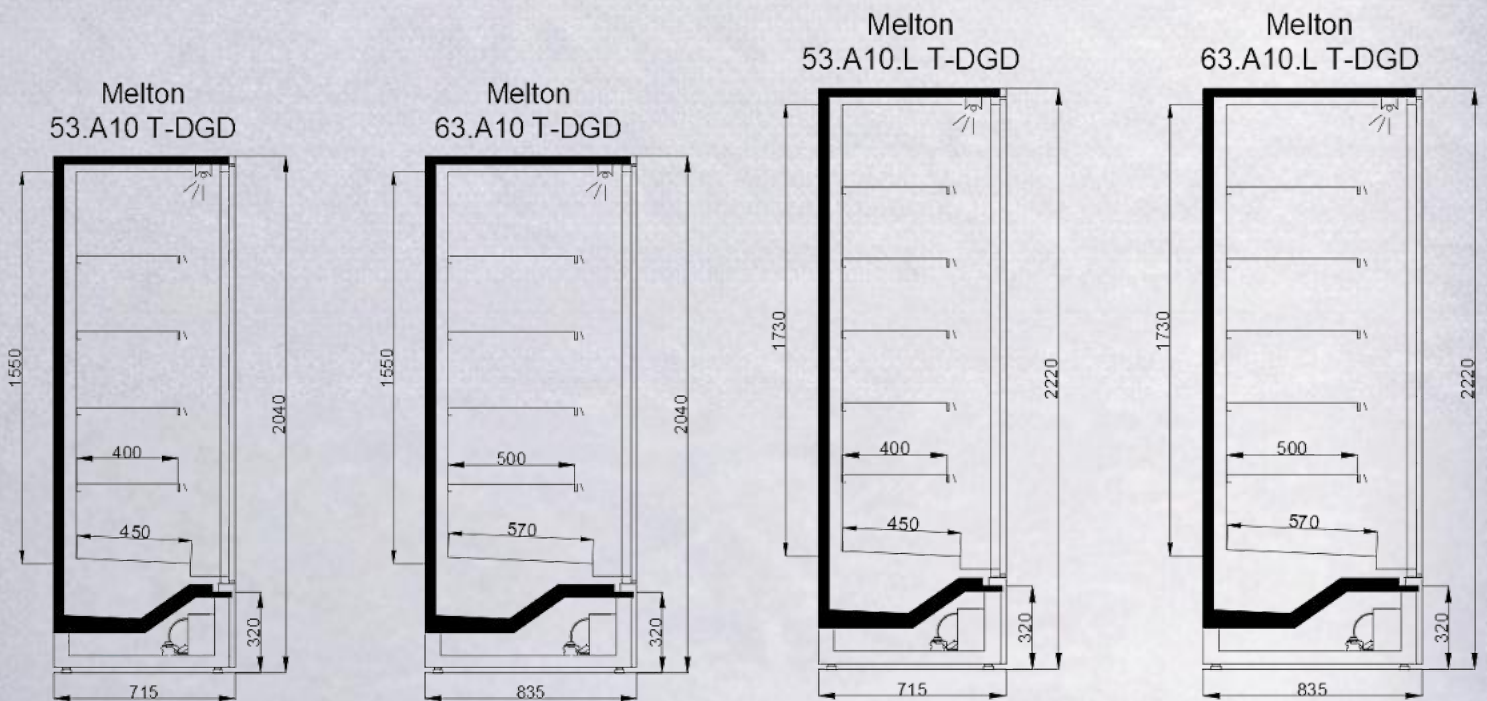
OPTIONS

— Extra Shelf

 Front Bumper

 Vertical - Undershelf Led Lights

 Energy saving Ec Fans



İnanç reserves the right to change device standards or withdraw products from the market without prior notice. The stated energy efficiency class depends on the module type, equipment, glazing version, and refrigerant type. Changes to any of these parameters may result in a change to the energy efficiency class. To find out the energy efficiency class of a product with parameters different from those stated in the catalog, contact the manufacturer.



MELTON DGD

DGD | Double Glazed Doors

Aluminum Framed Double Glazed Doors



AVAILABLE DIMENSIONS

- 937,5 
- 1250 
- 1875 
- 2500 
- 2812,5 
- 3124 
- 3750 

Plug-In Multideck



Double Glazed Doors

Soft closing doors with anti-slam technology



Cooling Power

3m1 / 3m2 Temp. Class



Energy Efficiency

Low energy consumptions



Refrigerant

R290 propane gas system



Optimized Airflow

Air circulation with FMI Q fans



Lighting System

Energy-saving LED lighting on canopy

OPTIONS

Extra Shelf



Front Bumper



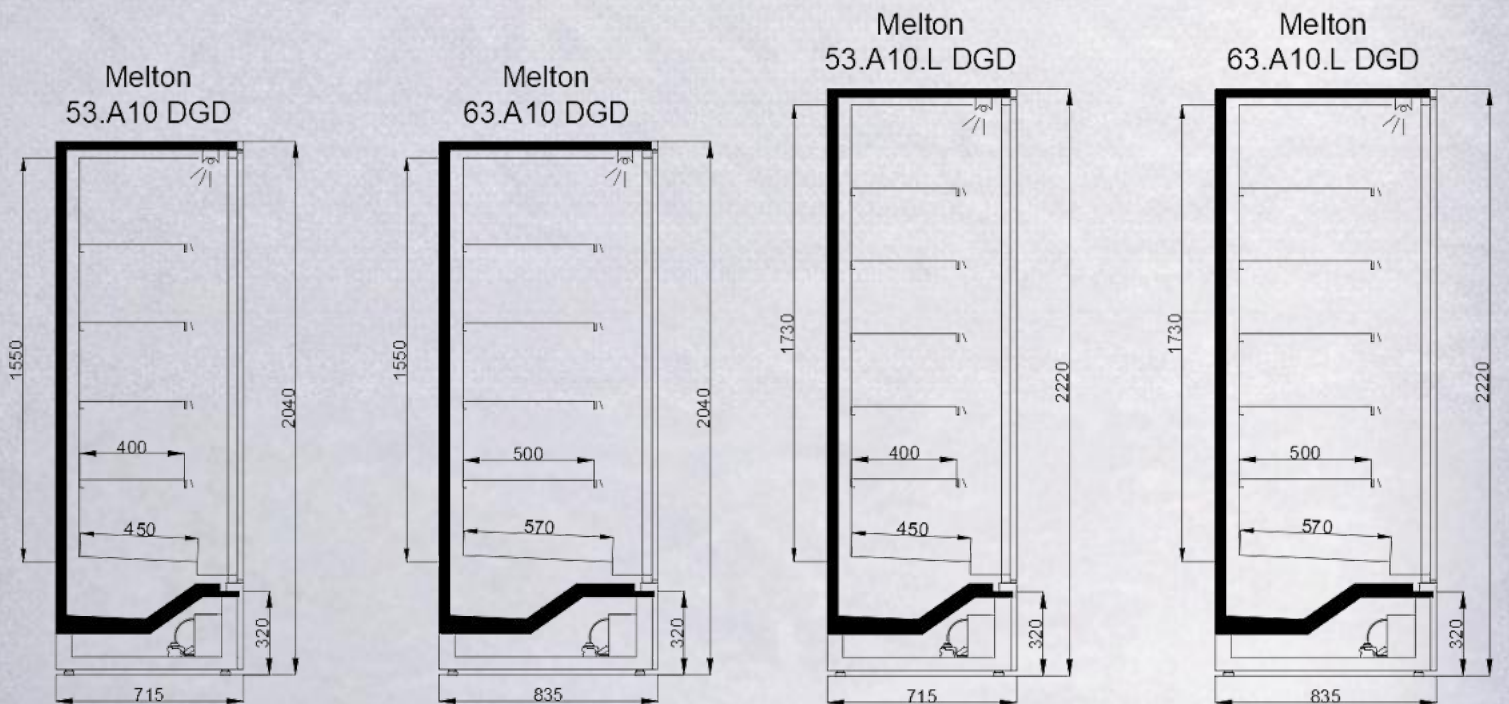
Vertical - Undershelf Led Lights



Energy saving Ec Fans



Painted Door-Frame



İnanç reserves the right to change device standards or withdraw products from the market without prior notice. The stated energy efficiency class depends on the module type, equipment, glazing version, and refrigerant type. Changes to any of these parameters may result in a change to the energy efficiency class. To find out the energy efficiency class of a product with parameters different from those stated in the catalog, contact the manufacturer.

MELTON NC

NC | Night Curtain

Open Front With Night Curtain



AVAILABLE DIMENSIONS

937,5

1250

1875

2500



Plug-In Multideck



Night Curtain

Keep the cold air inside



Cooling Power

3m1 / 3m2 Temp. Class



Energy Efficiency

Low energy consumptions



Refrigerant

R290 propane gas system



Optimized Airflow

Air circulation with FMI Q fans



Lighting System

Energy-saving LED lighting on canopy

OPTIONS

— Extra Shelf



Front Bumper



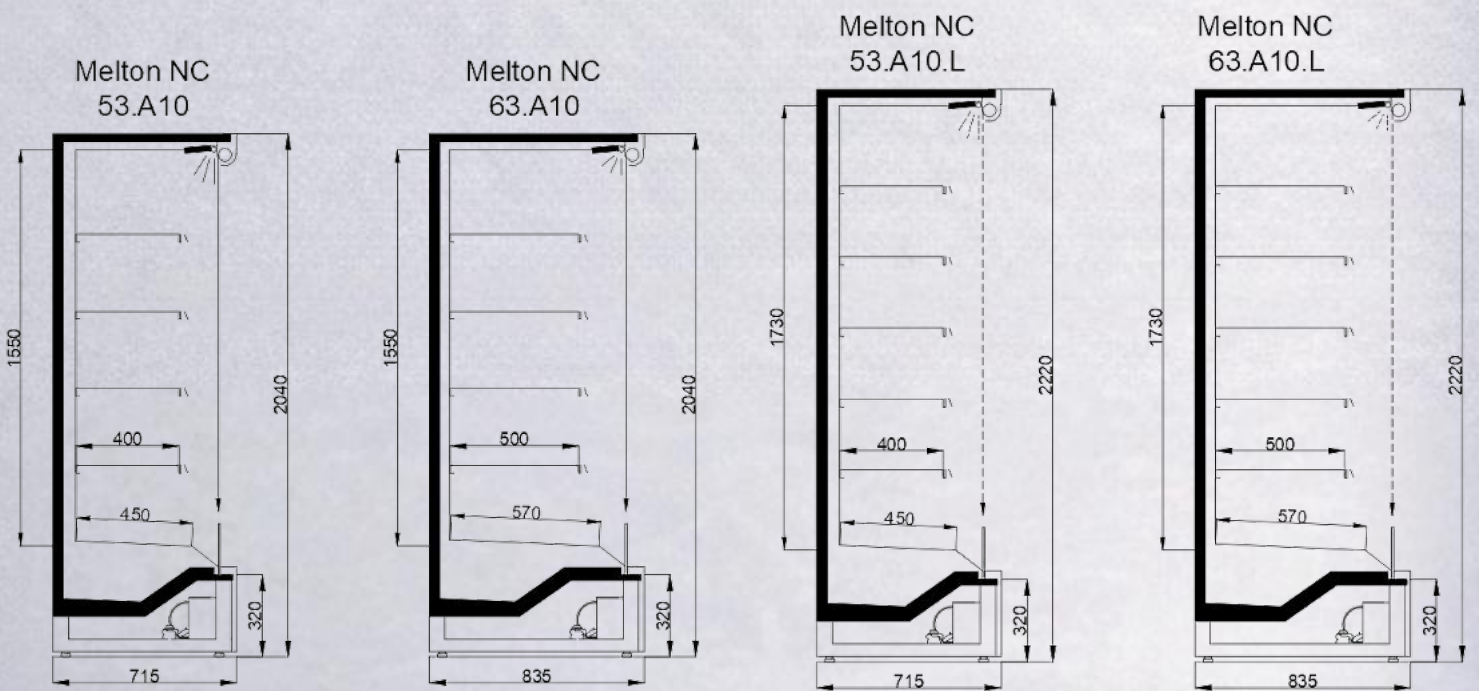
Undershelf Led Lights



Energy saving Ec Fans



Automatic night curtain



İnanç reserves the right to change device standards or withdraw products from the market without prior notice. The stated energy efficiency class depends on the module type, equipment, glazing version, and refrigerant type. Changes to any of these parameters may result in a change to the energy efficiency class. To find out the energy efficiency class of a product with parameters different from those stated in the catalog, contact the manufacturer.

MELTON FV

FV | Fruit & Vegetable
Open Front With Night Curtain



AVAILABLE DIMENSIONS

937,5	1250	1875	2500

Plug-In Multideck



Night Curtain

Keep the cold air inside



Cooling Power

3m1 / 3m2 Temp. Class



Energy Efficiency

Low energy consumptions



Refrigerant

R290 propane gas system



Optimized Airflow

Air circulation with FMI Q fans



Lighting System

Energy-saving LED lighting on canopy

OPTIONS

Special FV Shelves



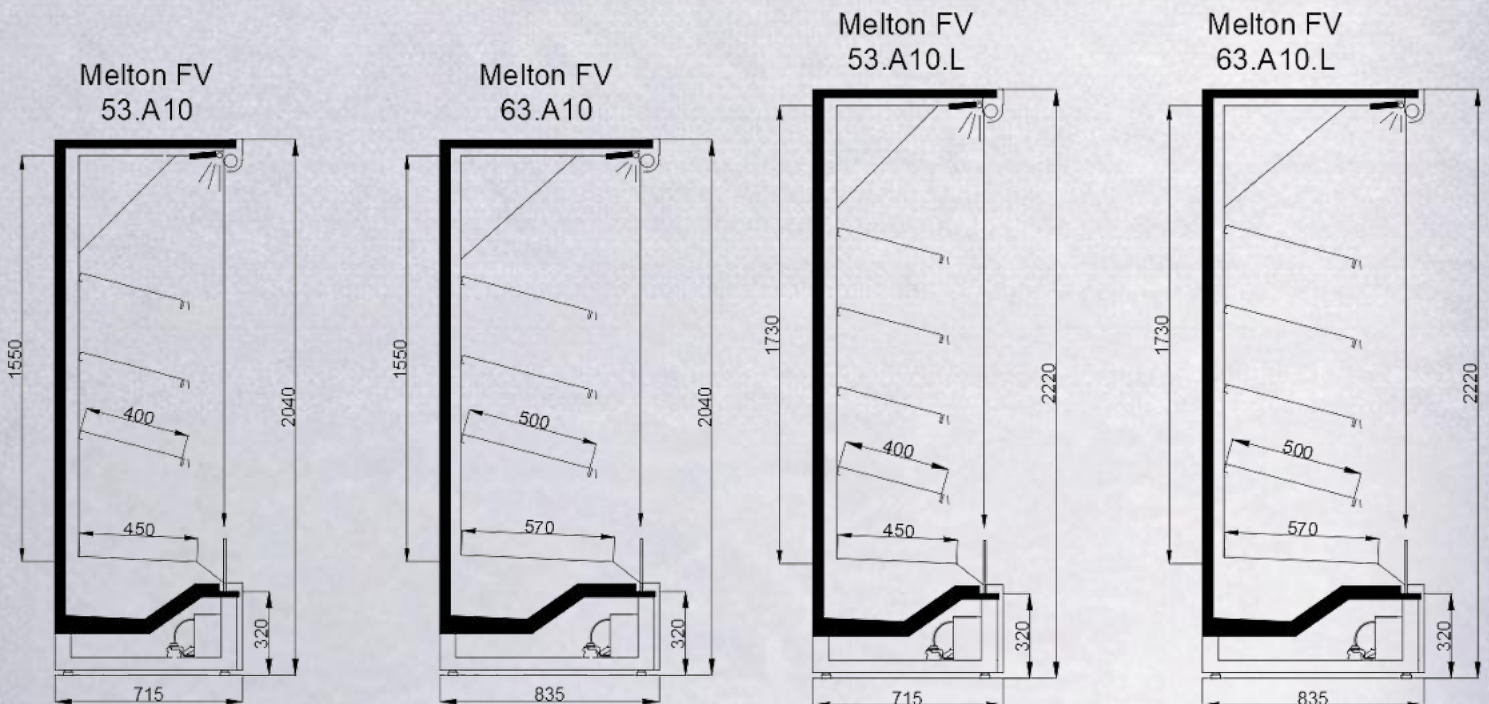
Front Bumper



Vertical - Undershef Led Lights



Energy saving Ec Fans



İnanç reserves the right to change device standards or withdraw products from the market without prior notice. The stated energy efficiency class depends on the module type, equipment, glazing version, and refrigerant type. Changes to any of these parameters may result in a change to the energy efficiency class. To find out the energy efficiency class of a product with parameters different from those stated in the catalog, contact the manufacturer.



AVAILABLE DIMENSIONS

- 937,5
B A G
- 1250
B A G
- 1875
C A G
- 2500
C A G

Plug-In Semi Vertical Multideck



Night Curtain

Keep the cold air inside



Cooling Power

3m1 / 3m2 Temp. Class



Energy Efficiency

Low energy consumptions



Refrigerant

R290 propane gas system



Optimized Airflow

Air circulation with FMI Q fans



Lighting System

Energy-saving LED lighting on canopy

OPTIONS

— Extra Shelves



Front Bumper

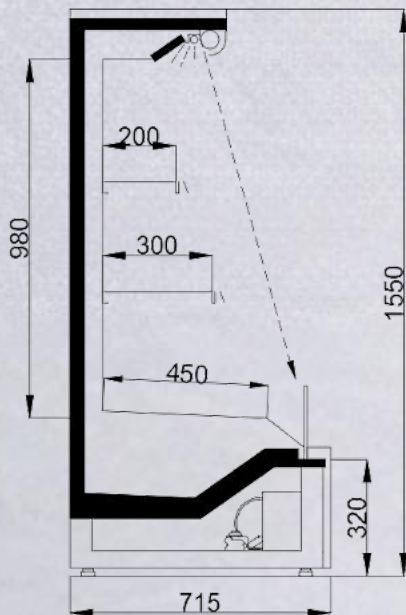


Undershelf Led Lights

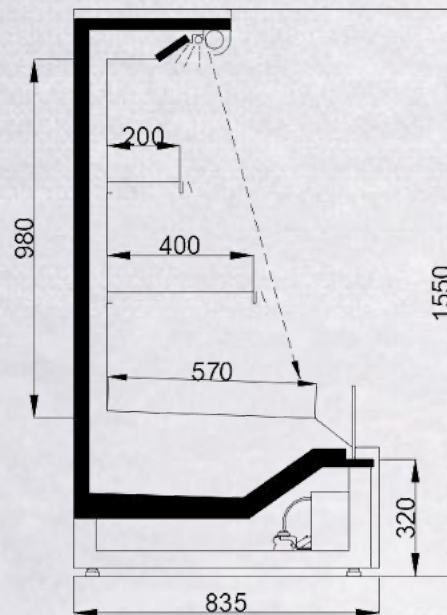


Energy saving Ec Fans

Macon NC
53.A10



Macon NC
63.A10



İnanç reserves the right to change device standards or withdraw products from the market without prior notice. The stated energy efficiency class depends on the module type, equipment, glazing version, and refrigerant type. Changes to any of these parameters may result in a change to the energy efficiency class. To find out the energy efficiency class of a product with parameters different from those stated in the catalog, contact the manufacturer.

MACON DGD

DGD | Double Glazed Doors
Transparent Door - Frame



AVAILABLE DIMENSIONS

937,5	1250	1875	2500	2812,5	3124	3750

Plug-In Semi Vertical Multideck



Double Glazed Doors

Transparent doors with Soft-closing / anti-slam technology



Cooling Power

3m1 / 3m2 Temp. Class



Energy Efficiency

Low energy consumptions



More display

More visibility of products



Refrigerant

R290 propane gas system



Optimized Airflow

Air circulation with FMI Q fans



Lighting System


Energy-saving LED lighting on canopy

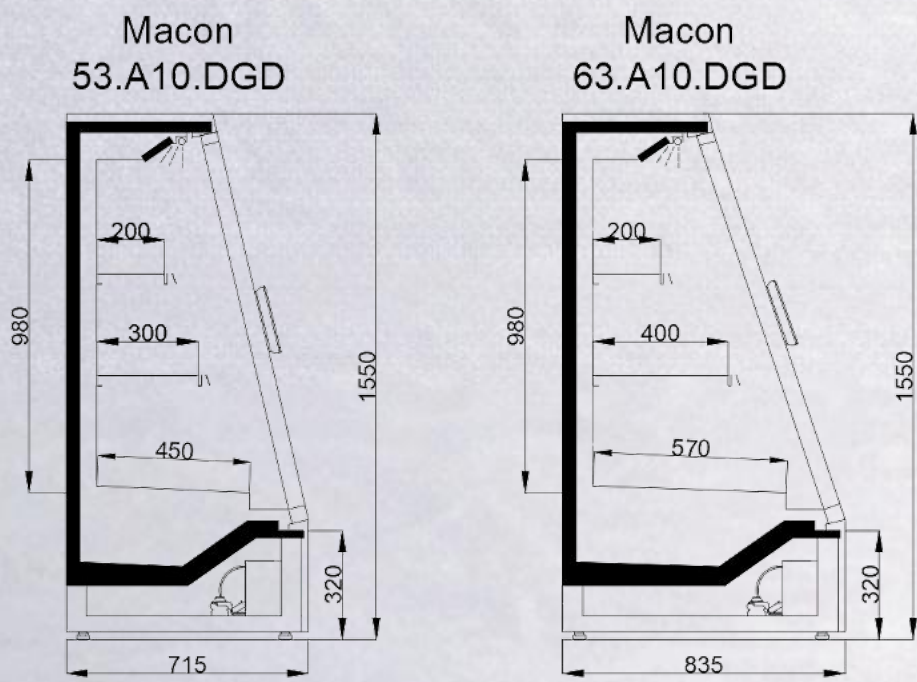
OPTIONS

— Extra Shelves

 Front Bumper

 Undershelf Led Lights

 Energy saving Ec Fans



İnanç reserves the right to change device standards or withdraw products from the market without prior notice. The stated energy efficiency class depends on the module type, equipment, glazing version, and refrigerant type. Changes to any of these parameters may result in a change to the energy efficiency class. To find out the energy efficiency class of a product with parameters different from those stated in the catalog, contact the manufacturer.



AVAILABLE DIMENSIONS

- | | | | | | | |
|-------|------|------|------|--------|------|------|
| 937,5 | 1250 | 1875 | 2500 | 2812,5 | 3124 | 3750 |
| | | | | | | |

Plug-In Semi Vertical Multideck



Double Glazed Doors

Sliding doors



Cooling Power

3m1 / 3m2 Temp. Class



Energy Efficiency

Low energy consumptions



More display

More visibility of products for small spaces



Refrigerant

R290 propane gas system



Optimized Airflow

Air circulation with FMI Q fans



Lighting System

Energy-saving LED lighting on canopy

OPTIONS

— Extra Shelves



Front Bumper

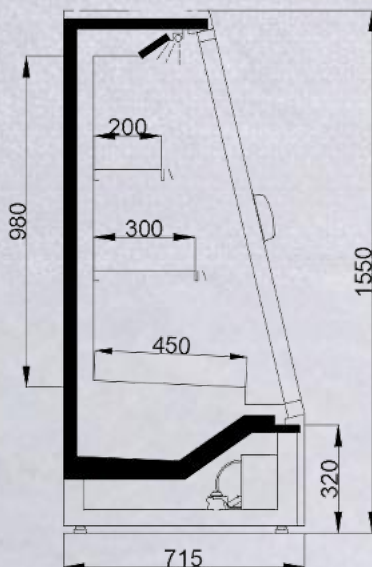


Undershelf Led Lights

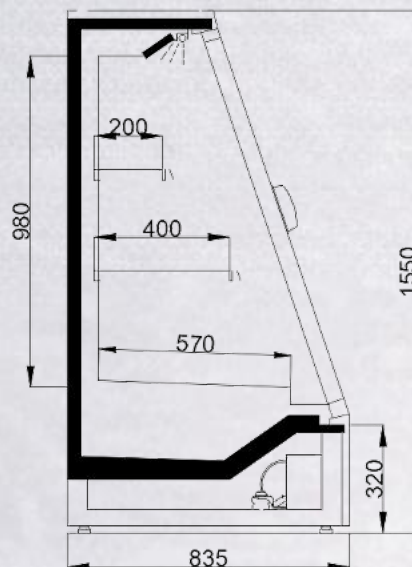


Energy saving Ec Fans

Macon
53.A10.D-SGD



Macon
63.A10.D-SGD



İnanç reserves the right to change device standards or withdraw products from the market without prior notice. The stated energy efficiency class depends on the module type, equipment, glazing version, and refrigerant type. Changes to any of these parameters may result in a change to the energy efficiency class. To find out the energy efficiency class of a product with parameters different from those stated in the catalog, contact the manufacturer.

MELBOURNE FG - DGD

FG | Full Glass

DGD | Double Glazed Doors



AVAILABLE DIMENSIONS

- 937,5
 - 1250
 - 1875
 - 2500
 - 2812,5
 - 3124
 - 3750
- Each dimension is accompanied by a small icon with 'B' and 'A/G' labels.

Remote Multideck



Full Glass Doors

Soft-closing doors with anti-slam technology



Cooling Power

3m1 / 3m2 Temp. Class



More display

Total visibility of products



Refrigerant

HFC Freon - Co² gas systems



Optimized Airflow

Air circulation with FMI Q fans



Lighting System

Energy-saving LED lighting on canopy

OPTIONS



Panoramic end wall

Extra Shelf



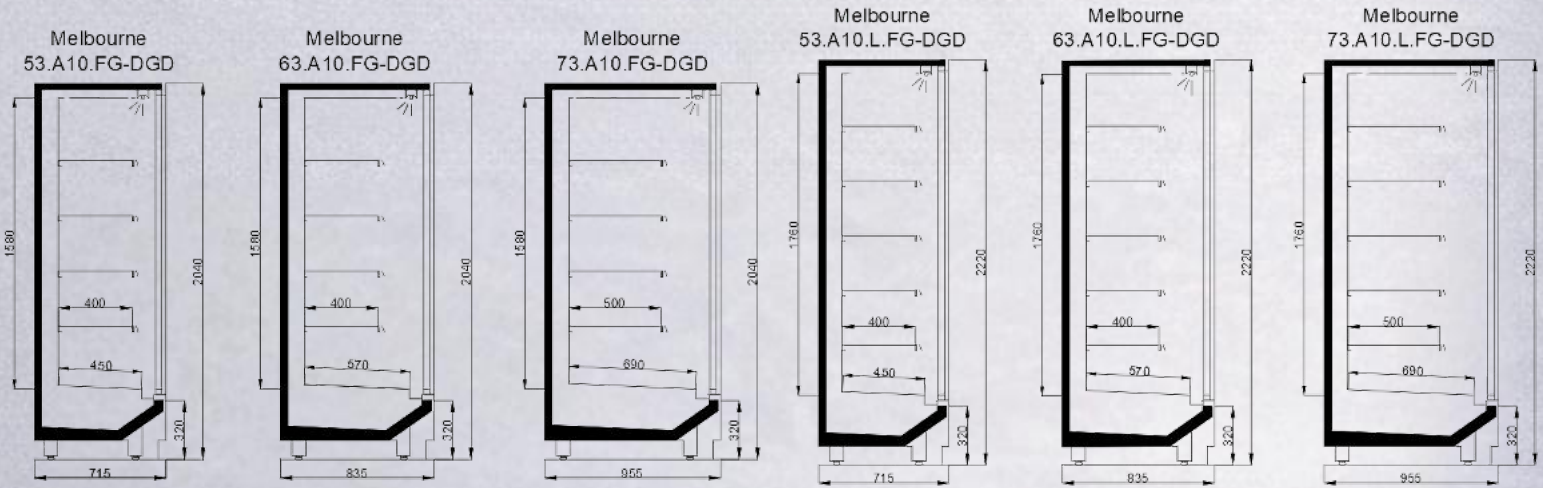
Front Bumper



Vertical - Undershelf Led Lights



Energy saving Ec Fans



İnanç reserves the right to change device standards or withdraw products from the market without prior notice. The stated energy efficiency class depends on the module type, equipment, glazing version, and refrigerant type. Changes to any of these parameters may result in a change to the energy efficiency class. To find out the energy efficiency class of a product with parameters different from those stated in the catalog, contact the manufacturer.

MELBOURNE FG - PDGD

FG | Full Glass

PDGD | Painted Double Glazed Doors



AVAILABLE DIMENSIONS

- 937,5
- 1250
- 1875
- 2500
- 2812,5
- 3124
- 3750



Remote Multideck



Full Glass Painted Doors

Soft-closing doors with anti-slam technology



Cooling Power

3m1 / 3m2 Temp. Class



More display

More visibility of products



Refrigerant

HFC Freon - Co² gas systems



Optimized Airflow

Air circulation with FMI Q fans



Lighting System

Energy-saving LED lighting on canopy

OPTIONS



Panoramic end wall



Extra Shelf



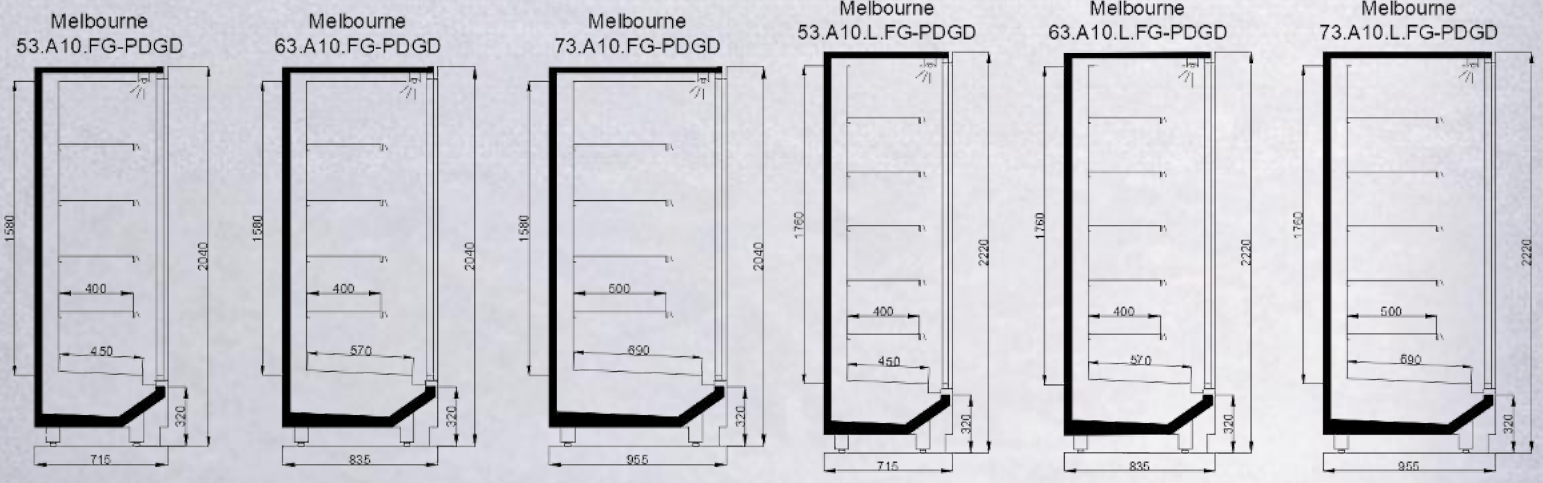
Front Bumper



Vertical - Undershelf Led Lights



Energy saving Ec Fans



İnanç reserves the right to change device standards or withdraw products from the market without prior notice. The stated energy efficiency class depends on the module type, equipment, glazing version, and refrigerant type. Changes to any of these parameters may result in a change to the energy efficiency class. To find out the energy efficiency class of a product with parameters different from those stated in the catalog, contact the manufacturer.

MELBOURNE T-DGD

T | Transparent

DGD | Double Glazed Doors



AVAILABLE DIMENSIONS

- 937,5
 - 1250
 - 1875
 - 2500
 - 2812,5
 - 3124
 - 3750
- Each dimension is accompanied by a small icon showing a green arrow pointing right with the letter 'B' and a green arrow pointing up with the letter 'A' and a green arrow pointing down with the letter 'G'.

Remote Multideck



Transparent doors

Soft-closing doors with anti-slam technology



Cooling Power

3m1 / 3m2 Temp. Class



More display

More visibility of products



Refrigerant

HFC Freon - Co² gas systems



Optimized Airflow

Air circulation with FMI Q fans



Lighting System

Energy-saving LED lighting on canopy

OPTIONS



Panoramic end wall



Extra Shelf



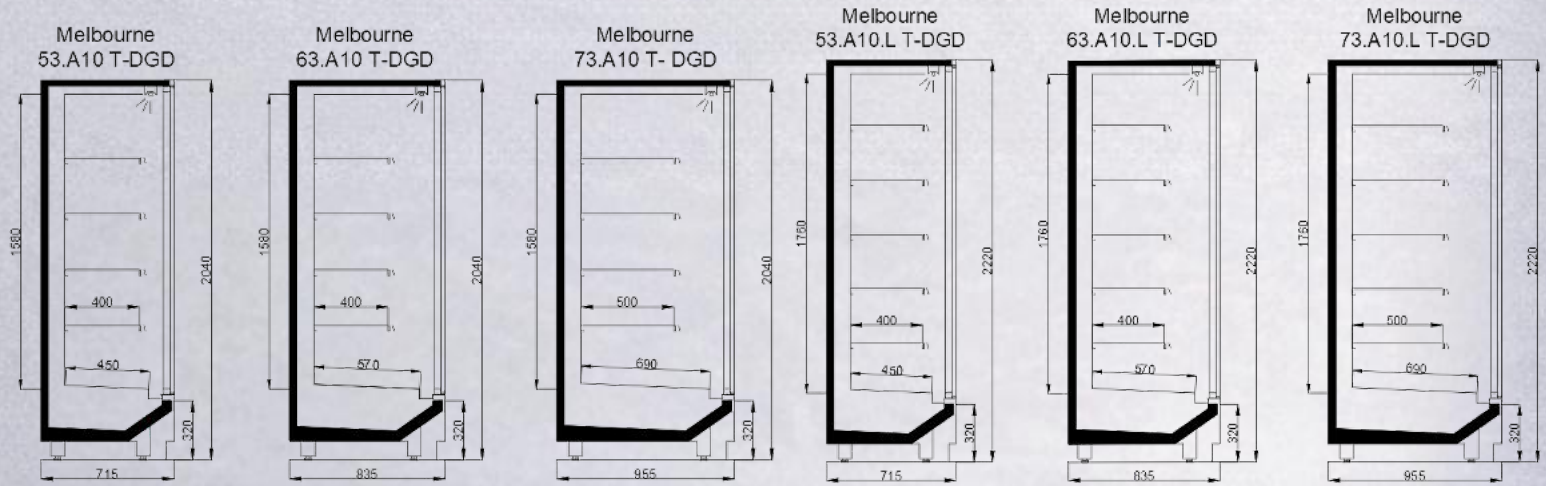
Front Bumper



Vertical - Undershelf Led Lights



Energy saving Ec Fans



İnanç reserves the right to change device standards or withdraw products from the market without prior notice. The stated energy efficiency class depends on the module type, equipment, glazing version, and refrigerant type. Changes to any of these parameters may result in a change to the energy efficiency class. To find out the energy efficiency class of a product with parameters different from those stated in the catalog, contact the manufacturer.

MELBOURNE DGD

DGD | Double Glazed Doors

Aluminum Framed Double Glazed Doors



AVAILABLE DIMENSIONS

- 937,5
 - 1250
 - 1875
 - 2500
 - 2812,5
 - 3124
 - 3750
- Each dimension is accompanied by a small icon showing a green arrow pointing right, with the letter 'B' above it and 'A' and 'G' stacked vertically to its right.

Remote Multideck



Double Glazed Doors

Soft-closing doors with anti-slam technology



Cooling Power

3m1 / 3m2 Temp. Class



Refrigerant

HFC Freon - Co² gas systems



Optimized Airflow

Air circulation with FMI Q fans



Lighting System

Energy-saving LED lighting on canopy

OPTIONS



Panoramic end wall



Extra Shelf



Front Bumper



Vertical - Undershelf Led Lights

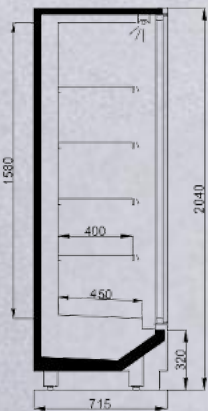


Energy saving Ec Fans

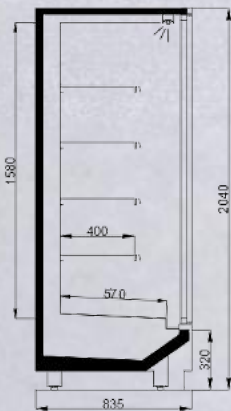


Painted Door-Frame

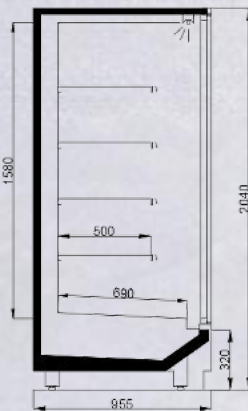
Melbourne
53.A10 DGD



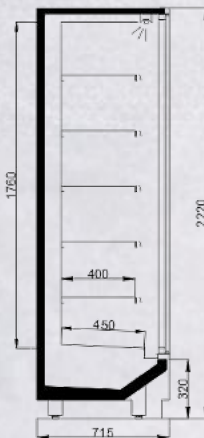
Melbourne
63.A10 DGD



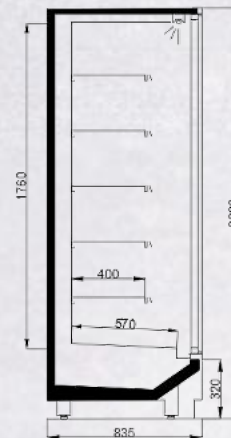
Melbourne
73.A10 DGD



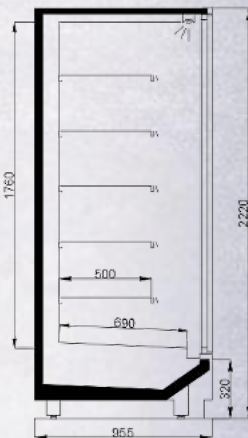
Melbourne
53.A10.L DGD



Melbourne
63.A10.L DGD



Melbourne
73.A10.L DGD



İnanç reserves the right to change device standards or withdraw products from the market without prior notice. The stated energy efficiency class depends on the module type, equipment, glazing version, and refrigerant type. Changes to any of these parameters may result in a change to the energy efficiency class. To find out the energy efficiency class of a product with parameters different from those stated in the catalog, contact the manufacturer.

MELBOURNE NC

NC | Night Curtain

Open Front With Night Curtain



AVAILABLE DIMENSIONS

- 937,5
- 1250
- 1875
- 2500
- 2812,5
- 3124
- 3750

Remote Multideck



Night Curtain

Keep the cold air inside



Cooling Power

3m1 / 3m2 Temp. Class



Refrigerant

HFC Freon - Co² gas systems



Optimized Airflow

Air circulation with FMI Q fans



Lighting System

Energy-saving LED lighting on canopy

OPTIONS



Panoramic end wall



Extra Shelf



Front Bumper



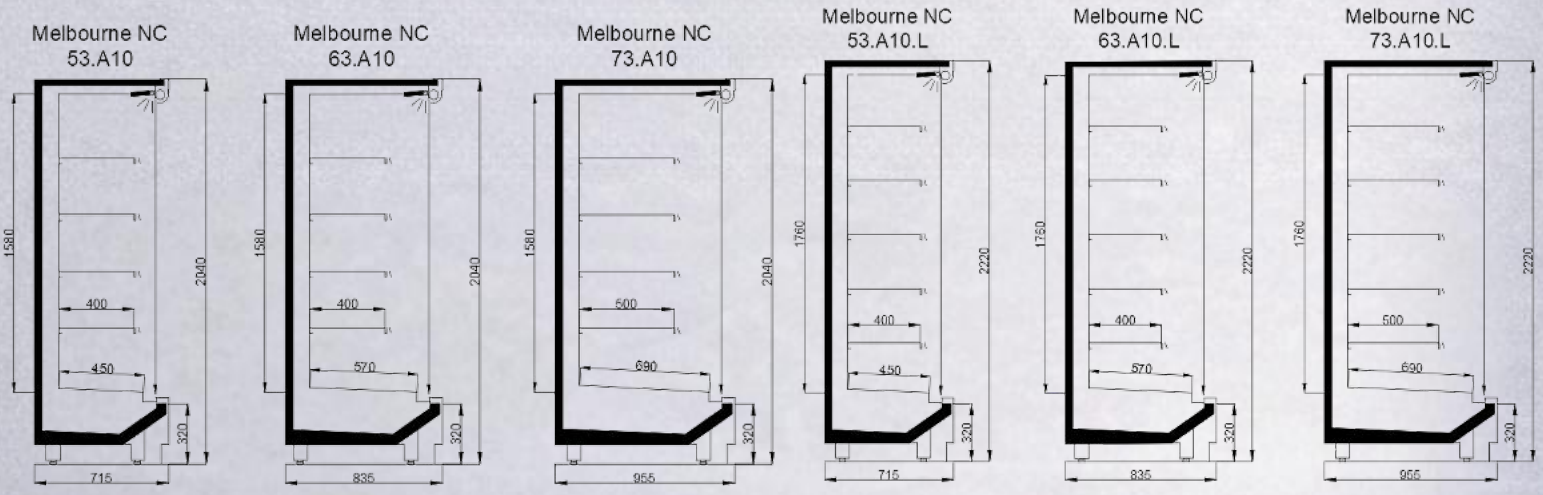
Undershelf Led Lights



Energy saving Ec Fans



Automatic night curtain



İnanç reserves the right to change device standards or withdraw products from the market without prior notice. The stated energy efficiency class depends on the module type, equipment, glazing version, and refrigerant type. Changes to any of these parameters may result in a change to the energy efficiency class. To find out the energy efficiency class of a product with parameters different from those stated in the catalog, contact the manufacturer.

MELBOURNE FV

FV | Fruit & Vegetable
Open Front With Night Curtain



AVAILABLE DIMENSIONS

- | | | | | | | |
|-------|------|------|------|--------|------|------|
| 937,5 | 1250 | 1875 | 2500 | 2812,5 | 3124 | 3750 |
| | | | | | | |

Remote Multideck



Night Curtain

Keep the cold air inside



Cooling Power

3m1 / 3m2 Temp. Class



Refrigerant

HFC Freon - Co² gas systems



Optimized Airflow

Air circulation with FMI Q fans



Lighting System

Energy-saving LED lighting on canopy

OPTIONS



Panoramic end wall



Front Bumper



Undershelf Led Lights

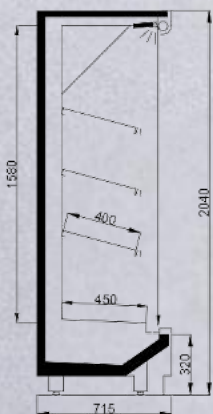


Energy saving Ec Fans

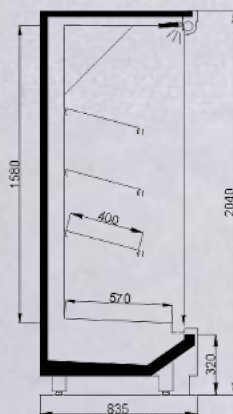


Automatic night curtain

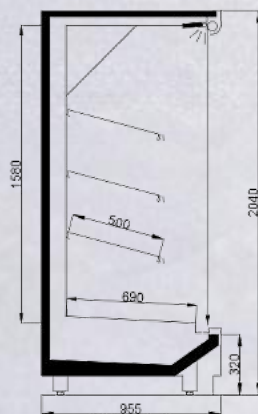
Melbourne FV
53.A10



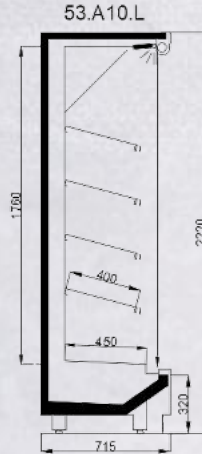
Melbourne FV
63.A10



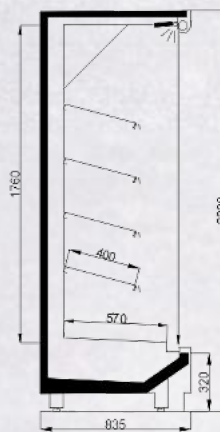
Melbourne FV
73.A10



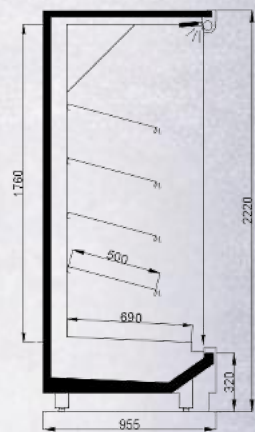
Melbourne FV
53.A10.L



Melbourne FV
63.A10.L



Melbourne FV
73.A10.L



İnanç reserves the right to change device standards or withdraw products from the market without prior notice. The stated energy efficiency class depends on the module type, equipment, glazing version, and refrigerant type. Changes to any of these parameters may result in a change to the energy efficiency class. To find out the energy efficiency class of a product with parameters different from those stated in the catalog, contact the manufacturer.

MARBELLA NC

NC | Night Curtain

Open Front With Night Curtain



AVAILABLE DIMENSIONS

937,5	1250	1875	2500	2812,5	3124	3750

Remote Semi Vertical Multideck



Night Curtain

Keep the cold air inside



Cooling Power

3m1 / 3m2 Temp. Class



Refrigerant

HFC Freon - Co² gas systems



Optimized Airflow

Air circulation with FMI Q fans



Lighting System

Energy-saving LED lighting on canopy

OPTIONS



Panoramic end wall



Extra Shelves



Front Bumper



Undershelf Led Lights

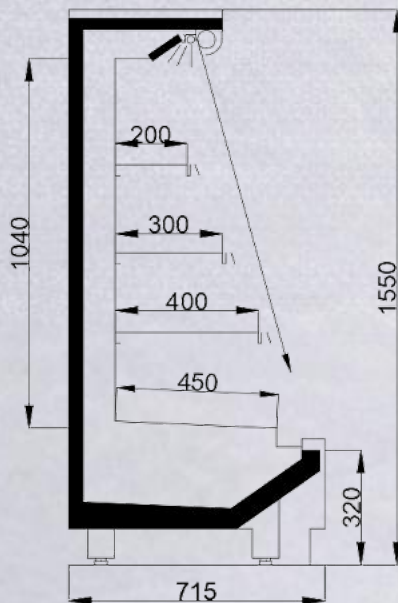


Energy saving Ec Fans

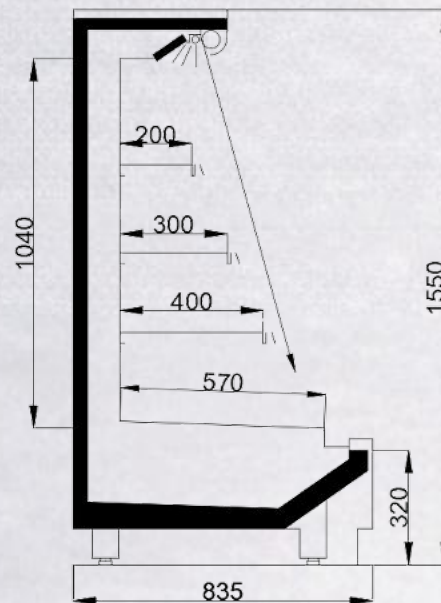


Automatic night curtain

Marbella NC
53.A10



Marbella NC
63.A10



İnanç reserves the right to change device standards or withdraw products from the market without prior notice. The stated energy efficiency class depends on the module type, equipment, glazing version, and refrigerant type. Changes to any of these parameters may result in a change to the energy efficiency class. To find out the energy efficiency class of a product with parameters different from those stated in the catalog, contact the manufacturer.

MARBELLA DGD

DGD | Double Glazed Doors
Transparent Door - Frame



AVAILABLE DIMENSIONS

937,5 1250 1875 2500 2812,5 3124 3750



Remote Semi Vertical Multideck



Double Glazed Doors

Transparent doors with Soft-closing / anti-slam technology



Cooling Power

3m1 / 3m2 Temp. Class



More display

More visibility of products



Refrigerant

HFC Freon - Co² gas systems



Optimized Airflow

Air circulation with FMI Q fans



Lighting System

Energy-saving LED lighting on canopy

OPTIONS



Panoramic end wall



Extra Shelves



Front Bumper

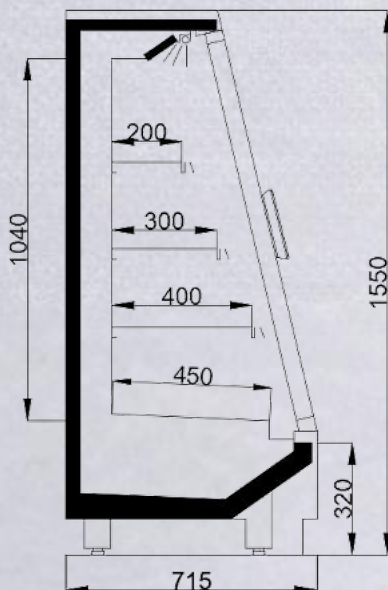


Undershelf Led Lights

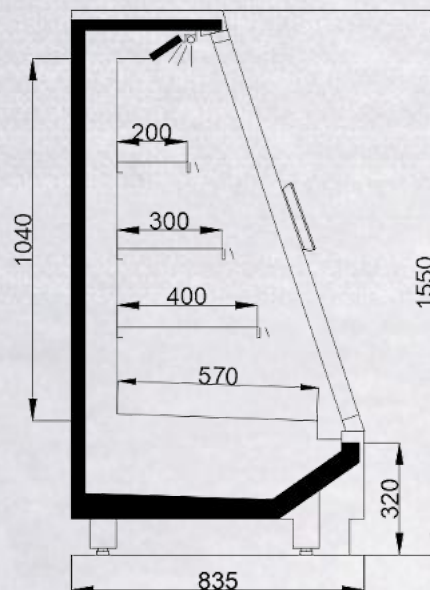


Energy saving Ec Fans

Marbella
53.A10.DGD



Marbella
63.A10.DGD



İnanç reserves the right to change device standards or withdraw products from the market without prior notice. The stated energy efficiency class depends on the module type, equipment, glazing version, and refrigerant type. Changes to any of these parameters may result in a change to the energy efficiency class. To find out the energy efficiency class of a product with parameters different from those stated in the catalog, contact the manufacturer.

MARBELLA D-SGD

D-SGD | Double Glazed Sliding Doors



AVAILABLE DIMENSIONS

937,5 1250 1875 2500 2812,5 3124 3750



Remote Semi Vertical Multideck



Double Glazed Doors

Sliding doors



Cooling Power

3m1 / 3m2 Temp. Class



More display

More visibility of products for small spaces



Refrigerant

HFC Freon - Co² gas systems



Optimized Airflow

Air circulation with FMI Q fans



Lighting System

Energy-saving LED lighting on canopy

OPTIONS



Panoramic end wall



Extra Shelves



Front Bumper

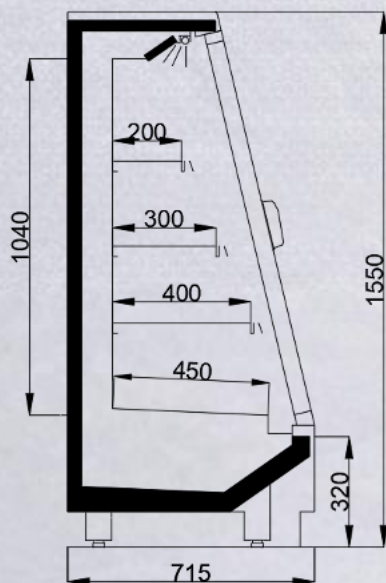


Undershelf Led Lights

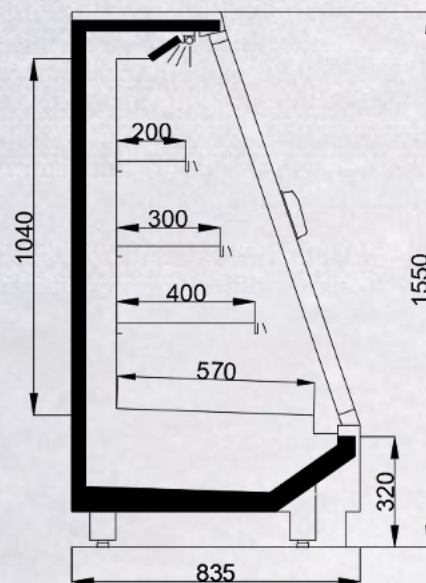


Energy saving Ec Fans

Marbella
53.A10.D-SGD



Marbella
63.A10.D-SGD



İnanç reserves the right to change device standards or withdraw products from the market without prior notice. The stated energy efficiency class depends on the module type, equipment, glazing version, and refrigerant type. Changes to any of these parameters may result in a change to the energy efficiency class. To find out the energy efficiency class of a product with parameters different from those stated in the catalog, contact the manufacturer.

MALABO FG-PTGD

FG | Full Glass

PTGD | Painted Triple Glazed Doors



AVAILABLE DIMENSIONS

1250 1562 1875 2343 2500



Plug-In Freezer



Full Glass Painted Doors

Soft-closing doors with anti-slam technology



Cooling Power

3L1 Temp. Class



Energy Efficiency

Low energy consumption with High Efficiency Frame & Hot Gas Defrosting



More display

More visibility of products



Refrigerant

R290 propane gas system



Energy Saving Air Circulation

Air circulation with EC Fans





Lighting System

Energy-saving LED lighting on frame

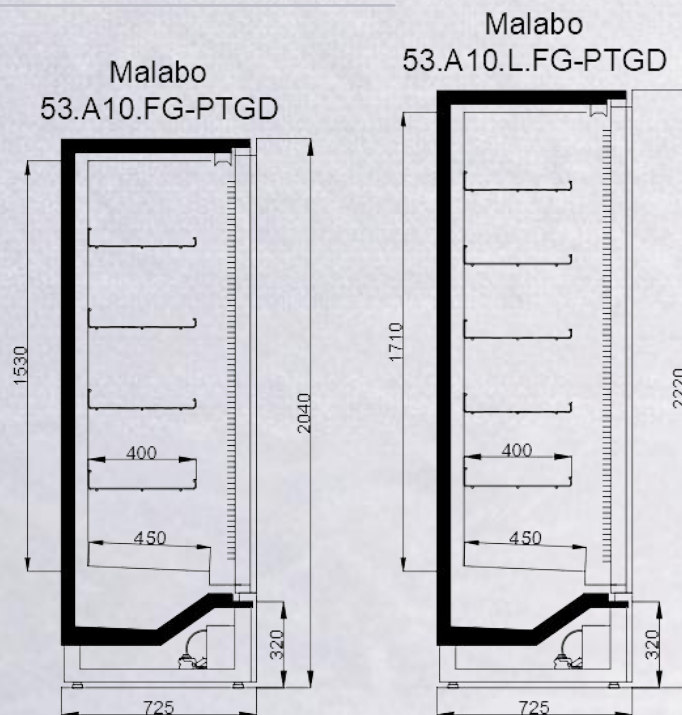
OPTIONS

— Extra Shelf

 Front Bumper

 Canopy Led Lights

 Wire Basket



İnanç reserves the right to change device standards or withdraw products from the market without prior notice. The stated energy efficiency class depends on the module type, equipment, glazing version, and refrigerant type. Changes to any of these parameters may result in a change to the energy efficiency class. To find out the energy efficiency class of a product with parameters different from those stated in the catalog, contact the manufacturer.

MALABO TGD

TGD | Triple Glazed

Aluminum Framed Hinged Doors



AVAILABLE DIMENSIONS

- 1250
- 1562
- 1875
- 2343
- 2500

Plug-In Freezer



Triple Glazed Doors

Soft-closing doors with anti-slam technology



Cooling Power

3L1 Temp. Class



Energy Efficiency

Low energy consumption with High Efficiency Frame & Hot Gas Defrosting



More display

More visibility of products



Refrigerant

R290 propane gas system



Energy Saving Air Circulation

Air circulation with EC Fans





Lighting System

Energy-saving LED lighting on frame

OPTIONS

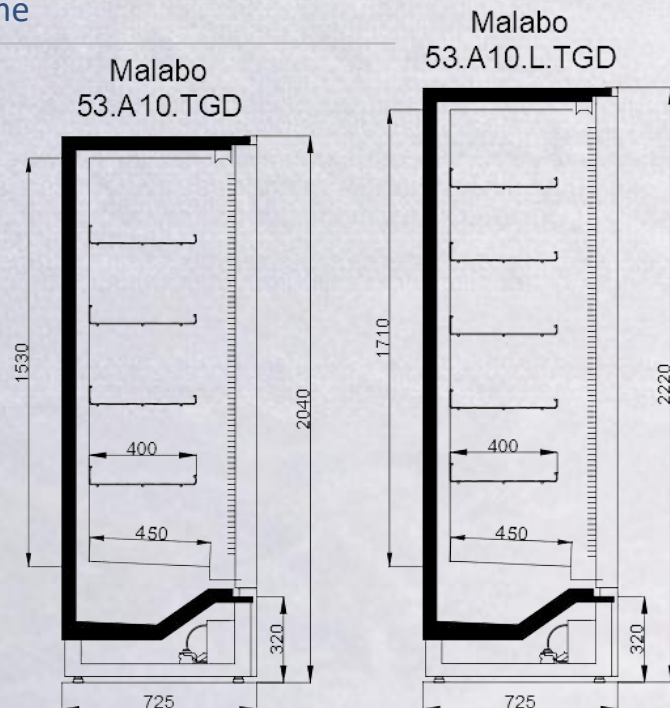
 Extra Shelf

 Front Bumper

 Canopy Led Lights

 Wire Basket

 Painted Door-Frame



Inanç reserves the right to change device standards or withdraw products from the market without prior notice. The stated energy efficiency class depends on the module type, equipment, glazing version, and refrigerant type. Changes to any of these parameters may result in a change to the energy efficiency class. To find out the energy efficiency class of a product with parameters different from those stated in the catalog, contact the manufacturer.


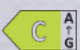

HELSINKI FG - PTGD

FG | Full Glass

PTGD | PaintedTripleGlazedDoors



AVAILABLE DIMENSIONS

- 1250 
- 1562 
- 1875 
- 2343 
- 2500 

Plug-In Freezer



Full Glass Painted Doors

Soft-closing doors with anti-slam technology



Cooling Power

3L1 Temp. Class



Energy Efficiency

Low energy consumption with High Efficiency Frame & Hot Gas Defrosting



More display

More visibility of products



Refrigerant

R290 propane gas system



Energy Saving Air Circulation

Air circulation with EC Fans



Lighting System

Energy-saving LED lighting on frame



Wire Basket Insert

Wire basket designed for pan-based food display

OPTIONS

— Extra Shelf

🛒 Front Bumper

💡 Canopy Led Lights



İnanç reserves the right to change device standards or withdraw products from the market without prior notice. The stated energy efficiency class depends on the module type, equipment, glazing version, and refrigerant type. Changes to any of these parameters may result in a change to the energy efficiency class. To find out the energy efficiency class of a product with parameters different from those stated in the catalog, contact the manufacturer.

MANAMA FG - PTGD

FG | Full Glass

PTGD | PaintedTripleGlazedDoors



AVAILABLE DIMENSIONS

1562

2343

3124

3905



Remote Freezer



Full Glass Painted Doors

Soft-closing doors with anti-slam technology



Cooling Power

3L1 Temp. Class



More display

More visibility of products



Refrigerant

HFC Freon - Co² gas systems



Optimized Airflow

Air circulation with FMI Q fans



Lighting System

Energy-saving LED lighting on frame



Wire Basket Insert

Wire basket designed for pan-based food display

OPTIONS



Panoramic end wall



Extra Shelf



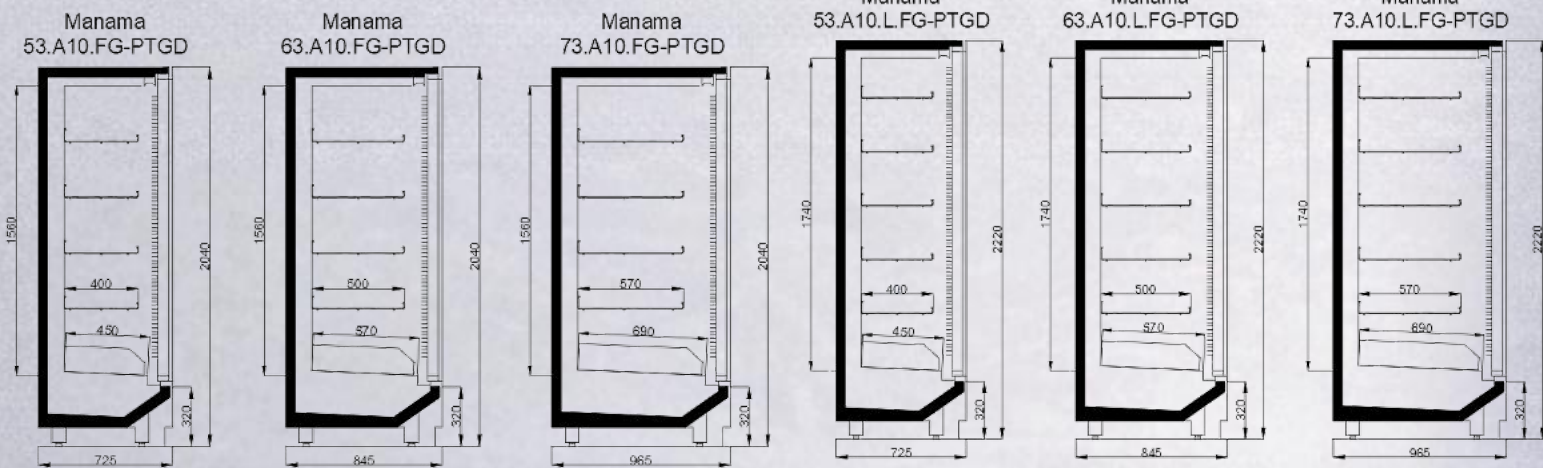
Front Bumper



Canopy Led Lights



Energy saving Ec Fans



İnanç reserves the right to change device standards or withdraw products from the market without prior notice. The stated energy efficiency class depends on the module type, equipment, glazing version, and refrigerant type. Changes to any of these parameters may result in a change to the energy efficiency class. To find out the energy efficiency class of a product with parameters different from those stated in the catalog, contact the manufacturer.

MANAMA TGD

TGD | Triple Glazed

Aluminum Framed Hinged Doors



AVAILABLE DIMENSIONS

1562

2343

3124

3905



Remote Freezer



Full Glass Painted Doors

Soft-closing doors with anti-slam technology



Cooling Power

3L1 Temp. Class



Refrigerant

HFC Freon - Co² gas systems



Optimized Airflow

Air circulation with FMI Q fans



Lighting System

Energy-saving LED lighting on canopy



Wire Basket Insert

Wire basket designed for pan-based food display

OPTIONS



Panoramic end wall



Extra Shelf



Front Bumper



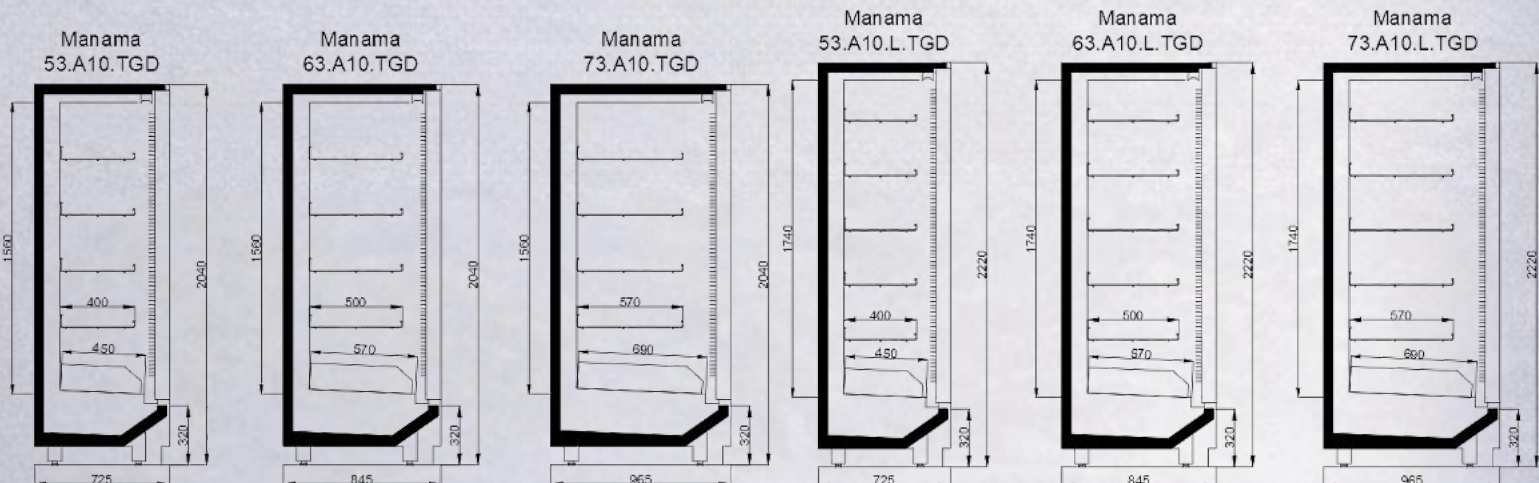
Canopy Led Lights



Energy saving Ec Fans



Painted Door-Frame



İnanç reserves the right to change device standards or withdraw products from the market without prior notice. The stated energy efficiency class depends on the module type, equipment, glazing version, and refrigerant type. Changes to any of these parameters may result in a change to the energy efficiency class. To find out the energy efficiency class of a product with parameters different from those stated in the catalog, contact the manufacturer.

HOUSTON TGD - SGD

TGD | TripleGlazed

SGD | DoubleGlazedSlidingDoors



AVAILABLE DIMENSIONS

1875

2500

3750



Remote Combined Freezer



Top - Bottom Glass Doors

Soft-closing doors on top / sliding glass doors on bottom



Cooling Power

3L1 Temp. Class



More display

Horizontal and vertical product showcase



Refrigerant

HFC Freon - Co² gas systems



Optimized Airflow

Air circulation with FMI Q fans



Lighting System

Energy-saving LED lighting on top frame and bottom canopy

OPTIONS



Wire Divider



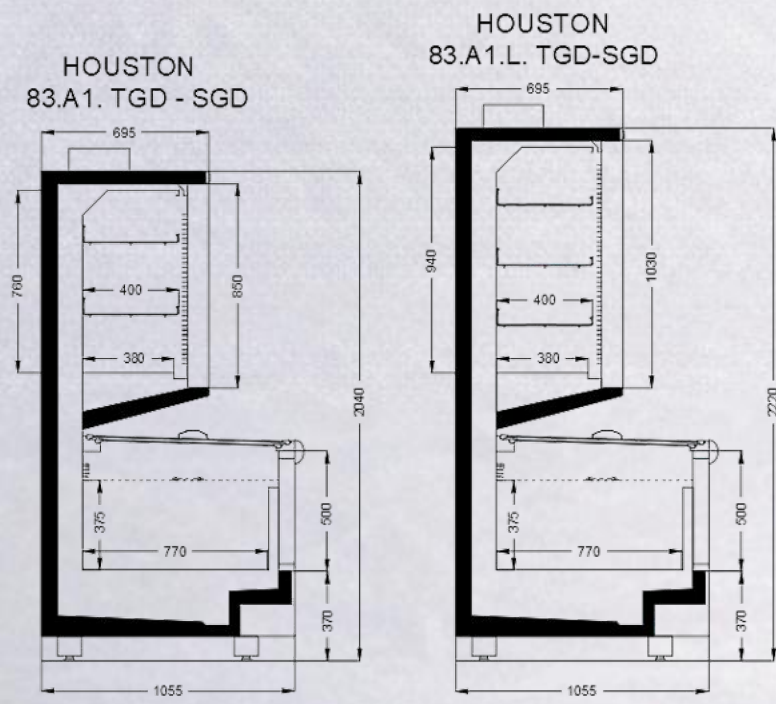
Front Bumper



Energy saving Ec Fans



Painted Door-Frame



İnanç reserves the right to change device standards or withdraw products from the market without prior notice. The stated energy efficiency class depends on the module type, equipment, glazing version, and refrigerant type. Changes to any of these parameters may result in a change to the energy efficiency class. To find out the energy efficiency class of a product with parameters different from those stated in the catalog, contact the manufacturer.

SPARTA

FG | Flat Glass

CG | Curved Glass



AVAILABLE DIMENSIONS

937,5	1250	1875	2500	2812,5	3124	3750

Plug-In Counter



Full Stainless Steel Interior

AISI 304 / hygienic and easy-to-clean inner surfaces



Cooling Power

3m1 / 3m2 Temp. Class



Energy Efficiency

Low energy consumptions



Large Display Surface

Wide and clear product presentation area



Refrigerant

R290 propane gas system



Optimized Airflow

Air circulation with FMI Q fans



Lighting System

Energy-saving LED lighting on canopy

OPTIONS



Back Sliding Plexi



Front Bumper



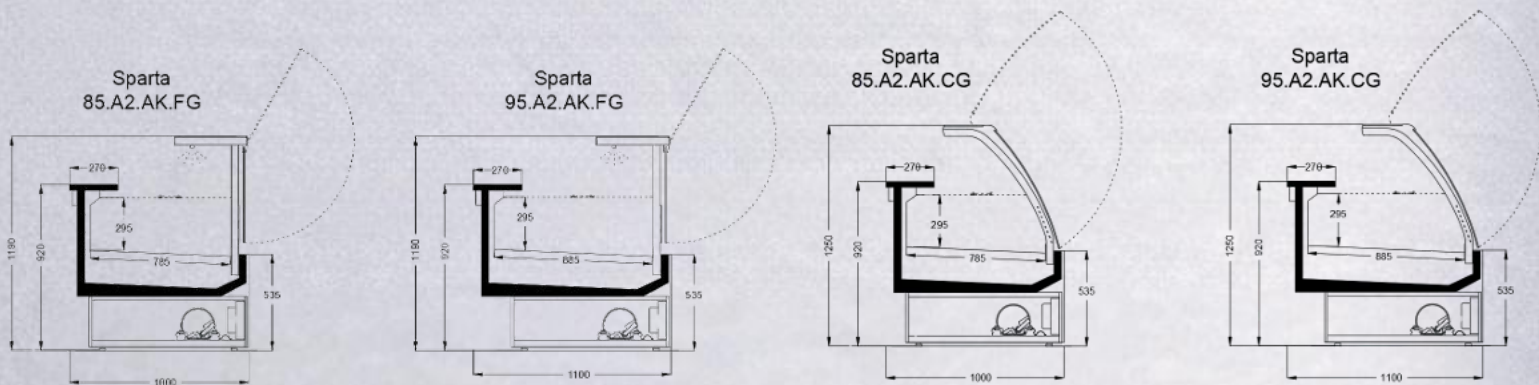
Meat colour Led Lights



Energy saving Ec Fans



On Top of Each Other Loading



İnanç reserves the right to change device standards or withdraw products from the market without prior notice. The stated energy efficiency class depends on the module type, equipment, glazing version, and refrigerant type. Changes to any of these parameters may result in a change to the energy efficiency class. To find out the energy efficiency class of a product with parameters different from those stated in the catalog, contact the manufacturer.

SPARTA

SS.FG | Self Service Flat Glass

SS.CG | Self Service Curved Glass



AVAILABLE DIMENSIONS

937,5	1250	1875	2500	2812,5	3124	3750

Plug-In Counter



Full Stainless Steel Interior

AISI 304 / hygienic and easy-to-clean inner surfaces



Cooling Power

3m1 / 3m2 Temp. Class



Energy Efficiency

Low energy consumptions



Large Display Surface

Wide and clear product presentation area



Refrigerant

R290 propane gas system



Optimized Airflow

Air circulation with FMI Q fans

OPTIONS



Front Bumper

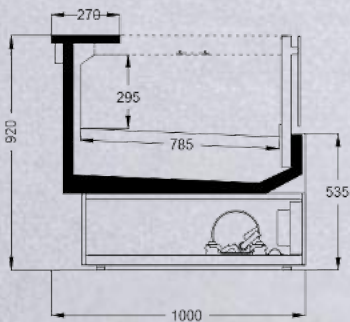


Energy saving Ec Fans

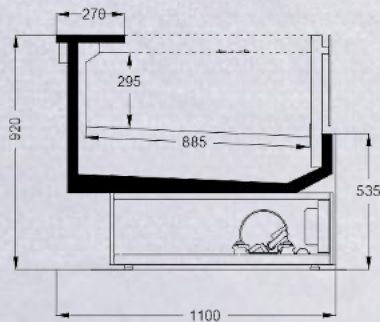


On Top of Each Other Loading

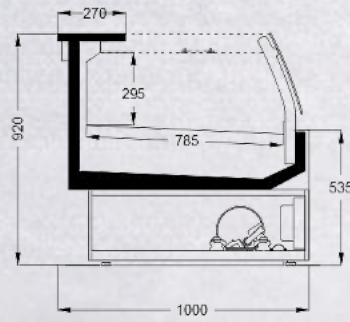
Sparta
85.A2.AK.SS.FG



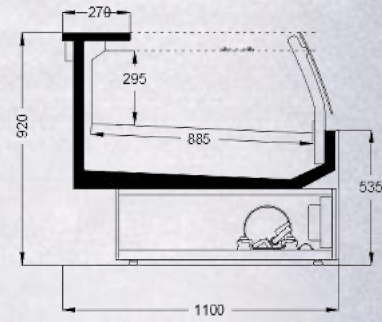
Sparta
95.A2.AK.SS.FG



Sparta
85.A2.AK.SS.CG



Sparta
95.A2.AK.SS.CG



İnanç reserves the right to change device standards or withdraw products from the market without prior notice. The stated energy efficiency class depends on the module type, equipment, glazing version, and refrigerant type. Changes to any of these parameters may result in a change to the energy efficiency class. To find out the energy efficiency class of a product with parameters different from those stated in the catalog, contact the manufacturer.



AVAILABLE DIMENSIONS

937,5	1250	1875	2500	2812,5	3124	3750

Plug-In Counter



Full Stainless Steel Interior

AISI 304 / hygienic and easy-to-clean inner surfaces



Refrigerated Storage

Internal refrigerated storage for temporary product storage



Cooling Power

3m1 / 3m2 Temp. Class



Energy Efficiency

Low energy consumptions



Large Display Surface

Wide and clear product presentation area



Refrigerant

R290 propane gas system



Optimized Airflow

Air circulation with FMI Q fans



Lighting System

Energy-saving LED lighting on canopy

OPTIONS



Back Sliding Plexi



Front Bumper



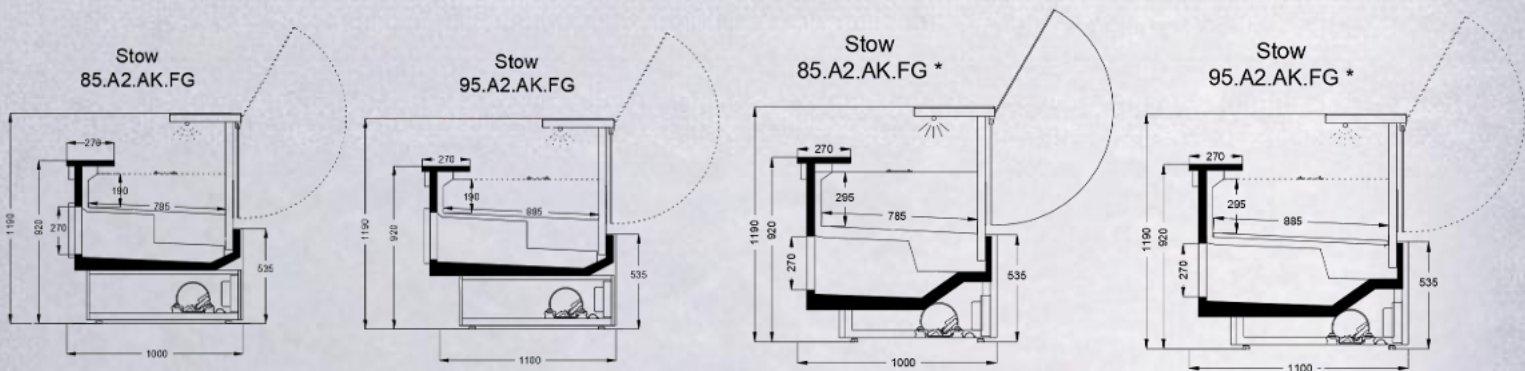
Meat colour Led Lights



Energy saving Ec Fans



On Top of Each Other Loading



* This model has the same pan levels when combined with models without refrigerated storage.

İnanç reserves the right to change device standards or withdraw products from the market without prior notice. The stated energy efficiency class depends on the module type, equipment, glazing version, and refrigerant type. Changes to any of these parameters may result in a change to the energy efficiency class. To find out the energy efficiency class of a product with parameters different from those stated in the catalog, contact the manufacturer.



AVAILABLE DIMENSIONS

937,5	1250	1875	2500	2812,5	3124	3750

Plug-In Counter



Full Stainless Steel Interior

AISI 304 / hygienic and easy-to-clean inner surfaces



Refrigerated Storage

Internal refrigerated storage for temporary product storage



Cooling Power

3m1 / 3m2 Temp. Class



Energy Efficiency

Low energy consumptions



Large Display Surface

Wide and clear product presentation area



Refrigerant

R290 propane gas system



Optimized Airflow

Air circulation with FMI Q fans



Lighting System

Energy-saving LED lighting on canopy

OPTIONS



Back Sliding Plexi



Front Bumper



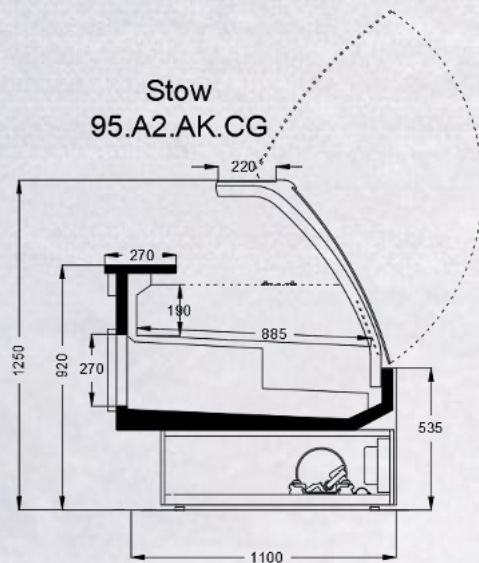
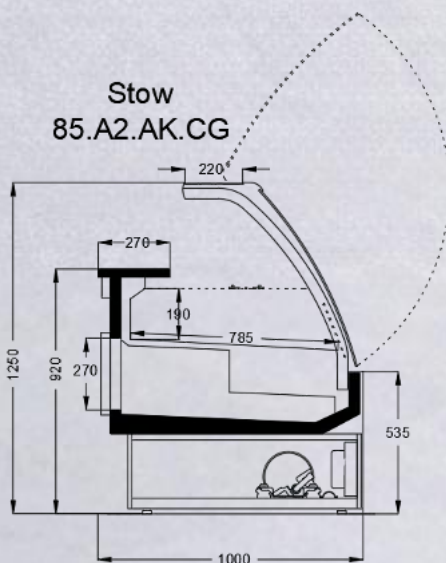
Meat colour Led Lights



Energy saving Ec Fans



On Top of Each Other Loading



İnanç reserves the right to change device standards or withdraw products from the market without prior notice. The stated energy efficiency class depends on the module type, equipment, glazing version, and refrigerant type. Changes to any of these parameters may result in a change to the energy efficiency class. To find out the energy efficiency class of a product with parameters different from those stated in the catalog, contact the manufacturer.

SYDNEY

FG | Flat Glass

CG | Curved Glass



AVAILABLE DIMENSIONS

937,5	1250	1875	2500	2812,5	3124	3750

Remote Counter



Full Stainless Steel Interior

AISI 304 / hygienic and easy-to-clean inner surfaces



Cooling Power

3m1 / 3m2 Temp. Class



Large Display Surface

Wide and clear product presentation area



Refrigerant

HFC Freon - Co² gas systems



Optimized Airflow

Air circulation with FMI Q fans



Lighting System

Energy-saving LED lighting on canopy

OPTIONS



Back Sliding Plexi



Front Bumper



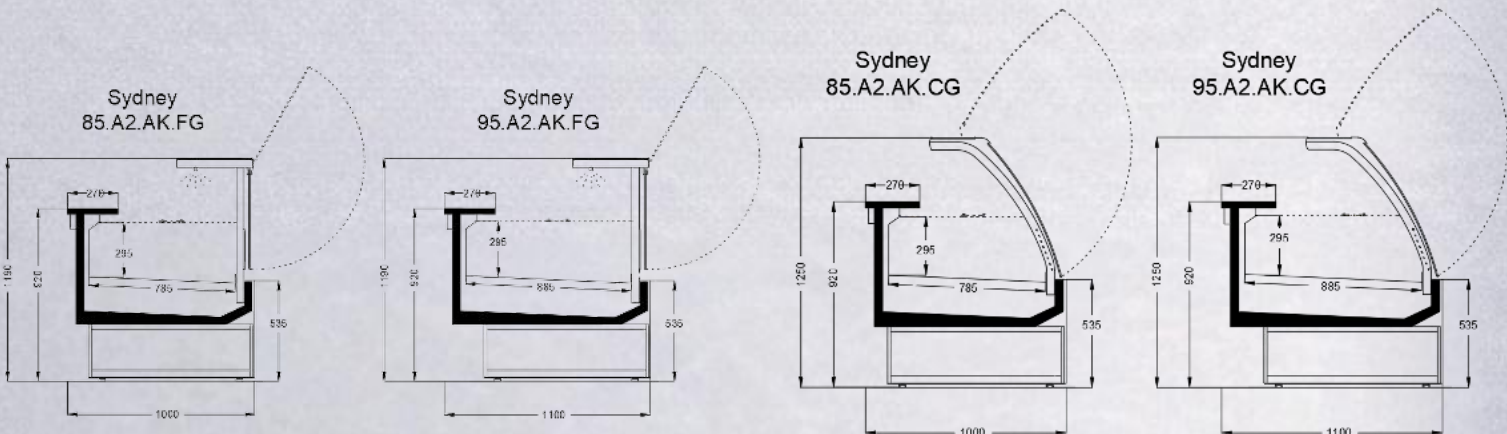
Meat colour Led Lights



Energy saving Ec Fans



On Top Of Each Other Loading



İnanç reserves the right to change device standards or withdraw products from the market without prior notice. The stated energy efficiency class depends on the module type, equipment, glazing version, and refrigerant type. Changes to any of these parameters may result in a change to the energy efficiency class. To find out the energy efficiency class of a product with parameters different from those stated in the catalog, contact the manufacturer.

SYDNEY

SS.FG | Self Service Flat Glass
SS.CG | Self Service Curved Glass
BM | Bain Marie



AVAILABLE DIMENSIONS

937,5 1250 1875 2500 2812,5 3124 3750

Remote Counter



Full Stainless Steel Interior

AISI 304 / hygienic and easy-to-clean inner surfaces



Cooling Power

3m1 / 3m2 Temp. Class



Large Display Surface

Wide and clear product presentation area



Refrigerant

HFC Freon - Co² gas systems



Optimized Airflow

Air circulation with FMI Q fans

OPTIONS



Front Bumper

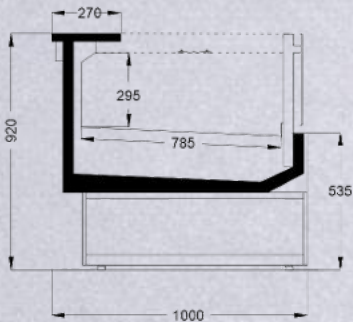


Energy saving Ec Fans

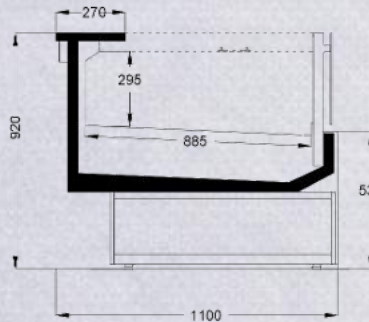


On Top Of Each Other Loading

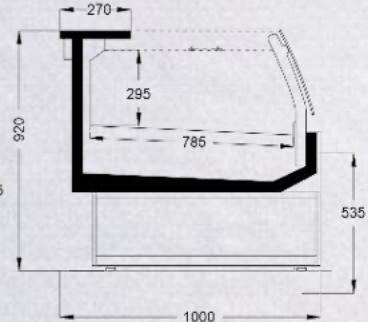
Sydney
85.A2.AK.SS.FG



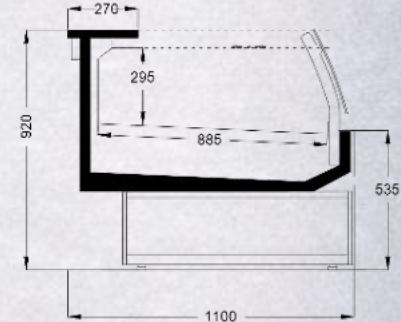
Sydney
95.A2.AK.SS.FG



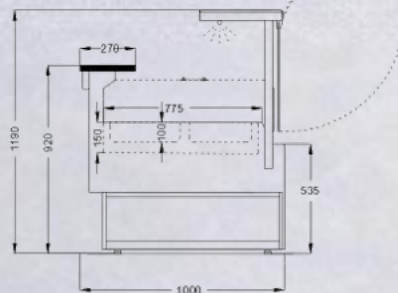
Sydney
85.A2.AK.SS.CG



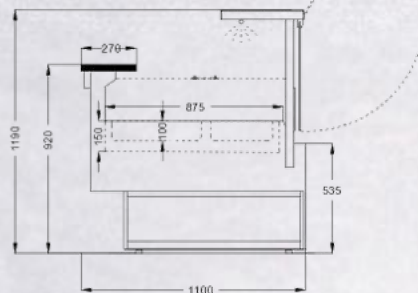
Sydney
95.A2.AK.SS.CG



Sydney
85.A2.AK.FG
Bainmarie



Sydney
95.A2.AK.FG
Bainmarie



İnanç reserves the right to change device standards or withdraw products from the market without prior notice. The stated energy efficiency class depends on the module type, equipment, glazing version, and refrigerant type. Changes to any of these parameters may result in a change to the energy efficiency class. To find out the energy efficiency class of a product with parameters different from those stated in the catalog, contact the manufacturer.



AVAILABLE DIMENSIONS

- | | | | | | | |
|-------|------|------|------|--------|------|------|
| 937,5 | 1250 | 1875 | 2500 | 2812,5 | 3124 | 3750 |
| | | | | | | |

Remote Counter



Full Stainless Steel Interior

AISI 304 / hygienic and easy-to-clean inner surfaces



Refrigerated Storage

Internal refrigerated storage for temporary product storage



Refrigerant

HFC Freon - Co² gas systems



Cooling Power

3m1 / 3m2 Temp. Class



Large Display Surface

Wide and clear product presentation area



Optimized Airflow

Air circulation with FMI Q fans



Lighting System

Energy-saving LED lighting on canopy

OPTIONS



Back Sliding Plexi



Front Bumper



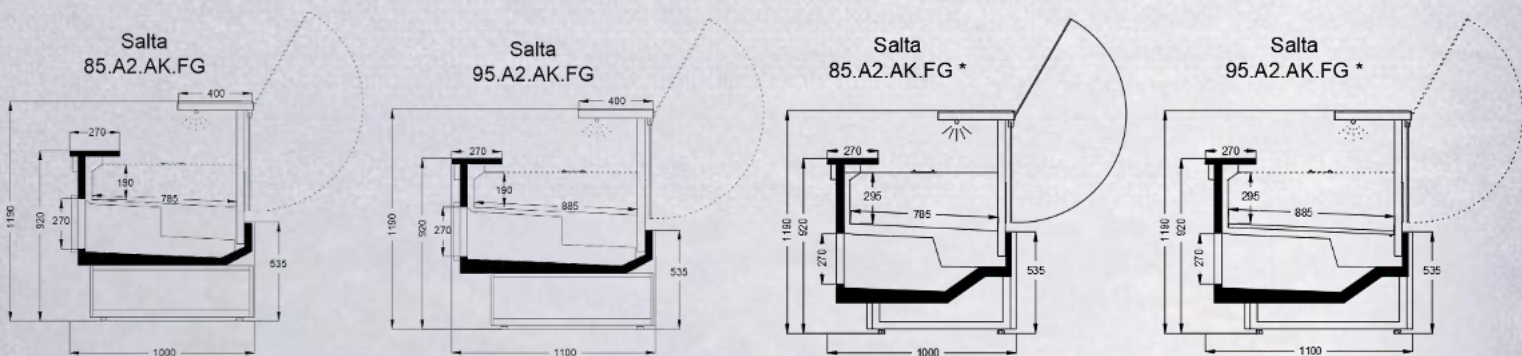
Meat colour Led Lights



Energy saving Ec Fans



On Top Of Each Other Loading



* This model has the same pan levels when multiplexed with models without refrigerated storage.

İnanç reserves the right to change device standards or withdraw products from the market without prior notice. The stated energy efficiency class depends on the module type, equipment, glazing version, and refrigerant type. Changes to any of these parameters may result in a change to the energy efficiency class. To find out the energy efficiency class of a product with parameters different from those stated in the catalog, contact the manufacturer.



AVAILABLE DIMENSIONS

937,5	1250	1875	2500	2812,5	3124	3750

Remote Counter



Full Stainless Steel Interior

AISI 304 / hygienic and easy-to-clean inner surfaces



Refrigerated Storage

Internal refrigerated storage for temporary product storage



Refrigerant

HFC Freon - Co² gas systems



Cooling Power

3m1 / 3m2 Temp. Class



Large Display Surface

Wide and clear product presentation area



Optimized Airflow

Air circulation with FMI Q fans



Lighting System

Energy-saving LED lighting on canopy

OPTIONS



Back Sliding Plexi



Front Bumper



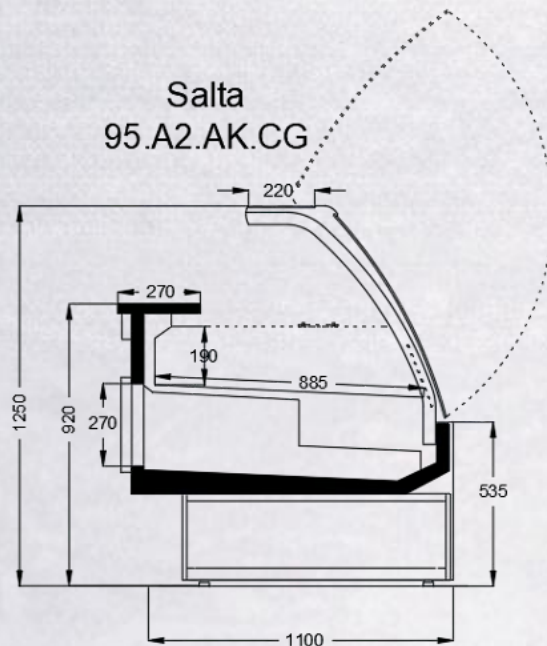
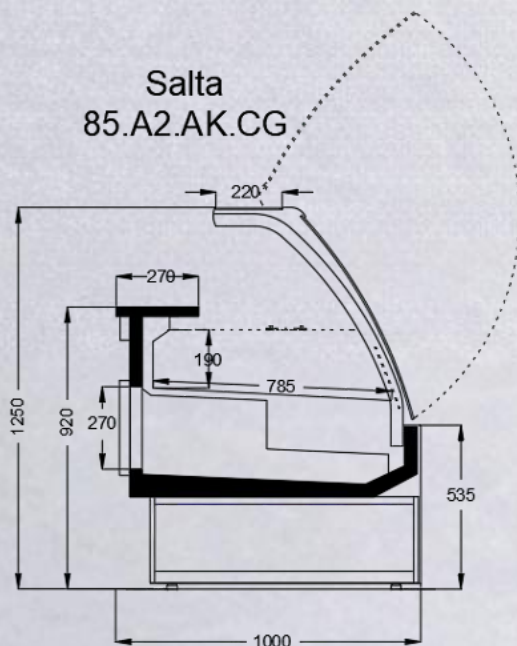
Meat colour Led Lights



Energy saving Ec Fans



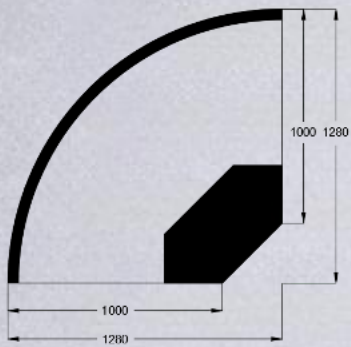
On Top Of Each Other Loading



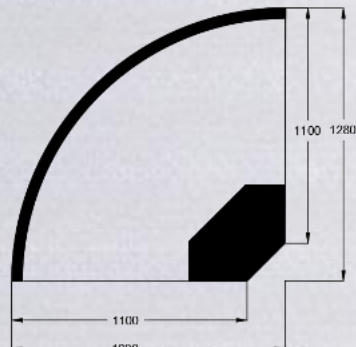
İnanç reserves the right to change device standards or withdraw products from the market without prior notice. The stated energy efficiency class depends on the module type, equipment, glazing version, and refrigerant type. Changes to any of these parameters may result in a change to the energy efficiency class. To find out the energy efficiency class of a product with parameters different from those stated in the catalog, contact the manufacturer.



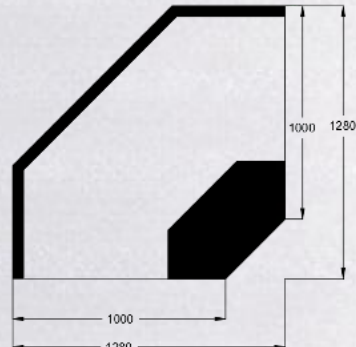
OCC 90°



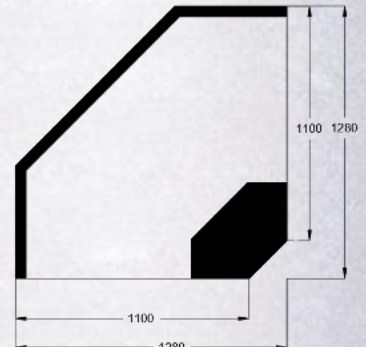
OCC 90°



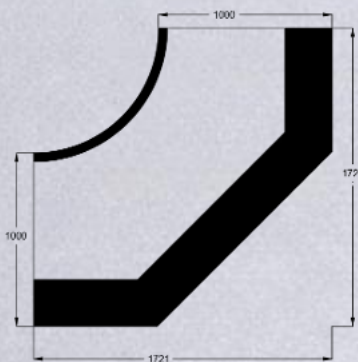
BEC 90°



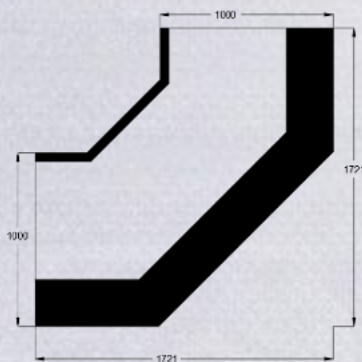
BEC 90°



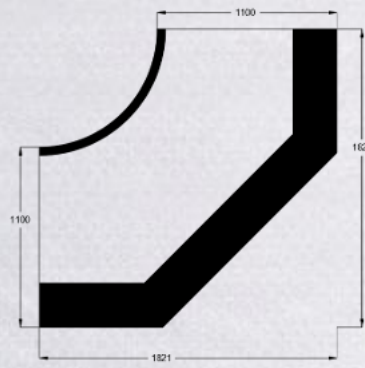
ICC 90°



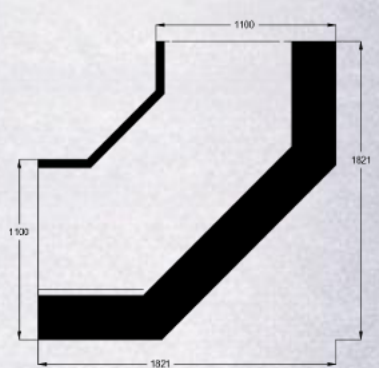
BIC 90°



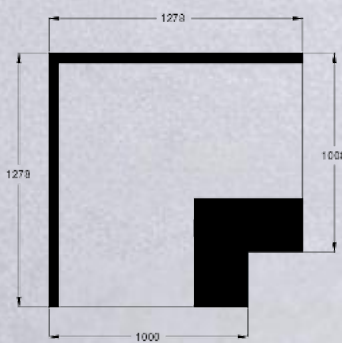
ICC 90°



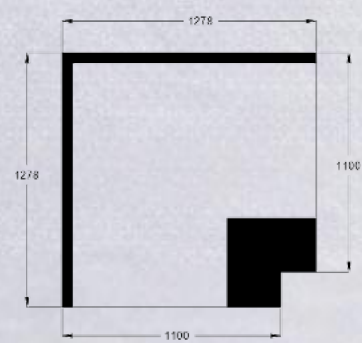
BIC 90°



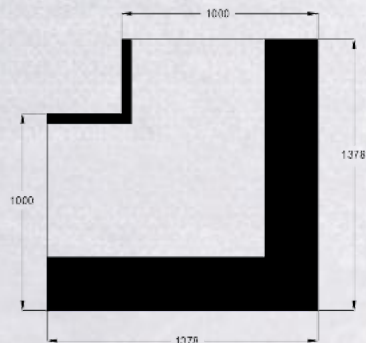
OCC.L 90°



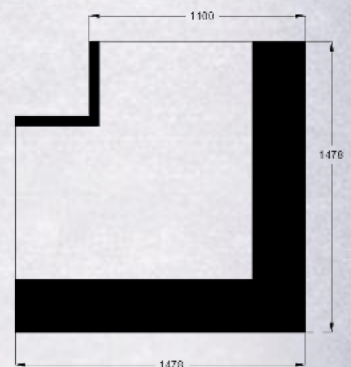
OCC.L 90°



ICC.L 90°



ICC.L 90°



- For Sydney - Sparta CG type counter models, OCC 90° corners are not manufactured.

BRISBANE

Open Type

NC | Night Curtain

SGD | Sliding Glass Door



AVAILABLE DIMENSIONS

937,5 1250 1875 2500



Promotion



Flexible Top Configuration

Open, night curtain or sliding glass door versions



Cooling Power

3m1 / 3m2 Temp. Class



Energy Efficiency

Low energy consumptions



Refrigerant

R290 propane gas system



Optimized Airflow

Air circulation with FMI Q fans



Easy Mobility

Equipped with lockable wheels for easy repositioning

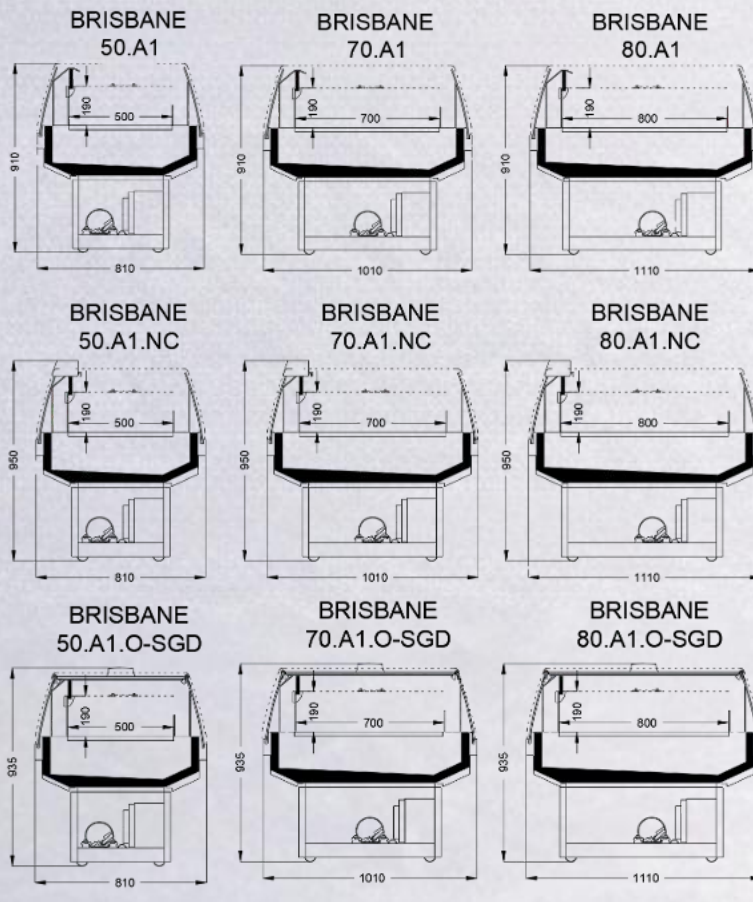
OPTIONS



Front - Side Bumper



On Top Of Each Other Loading



İnanç reserves the right to change device standards or withdraw products from the market without prior notice. The stated energy efficiency class depends on the module type, equipment, glazing version, and refrigerant type. Changes to any of these parameters may result in a change to the energy efficiency class. To find out the energy efficiency class of a product with parameters different from those stated in the catalog, contact the manufacturer.

LOADING

SOLUTIONS





www.inancteknik.com.tr
sales@inanccooling.com

Factory 1 - 2
Köseler, Toki Konutları Yanı, Şükürtepe Sk,
No:90 Dilovası/Kocaeli Türkiye

Factory 3
Cumhuriyet Cd. GEBZE PLASTİKÇİLER ORG. SAN. BÖL
NO:46, 41400 Gebze/Kocaeli Türkiye